

Product advantages of the three piece rose system



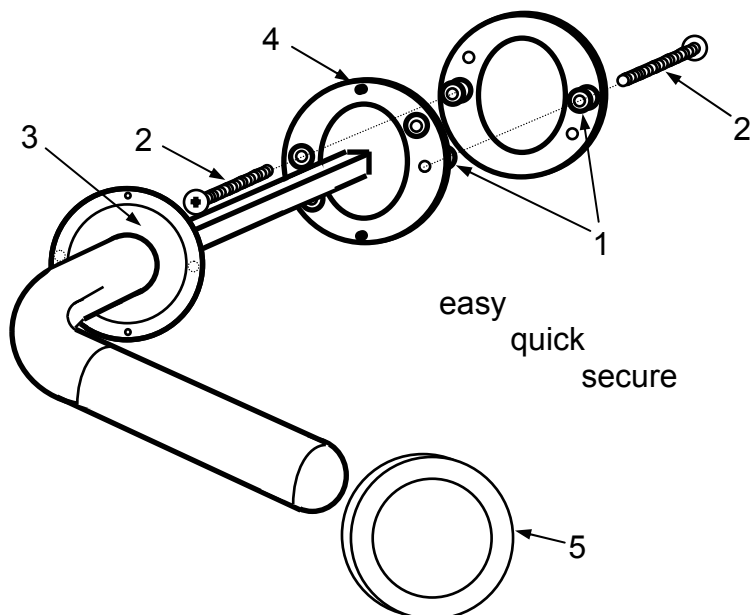
The solid mounting plate with 7mm fixing lugs (1) provides an easy assembly base. Male/Female M4 fixing bolts (2) ensure a robust bolt through connection.



The sprung loaded hard wearing inner plate (3) holds the lever handle and allows quick assembly of the inner rose. The modular design accommodates all the lever shapes. Projecting lugs (4) give an accurate assembly and ensure that the fittings are aligned correctly.



The threaded rose (5) is screwed over the whole assembly offering a secure, safe and precise fitting. This rose can be unscrewed when required but will not work loose in normal use.



KARCHER
DESIGN