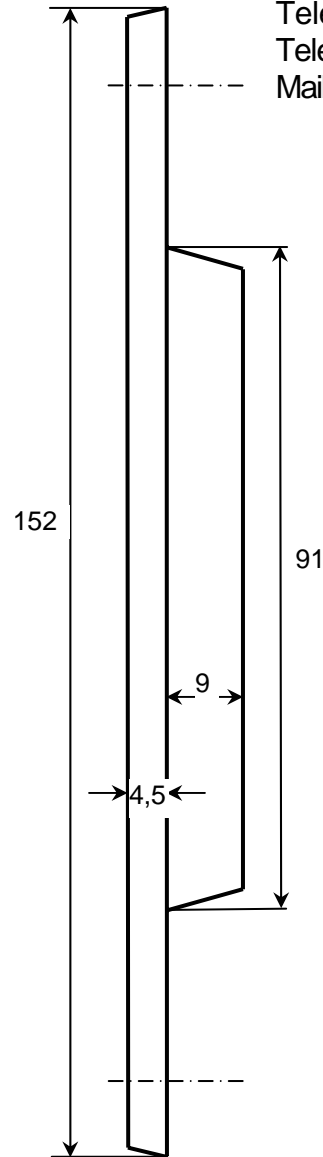
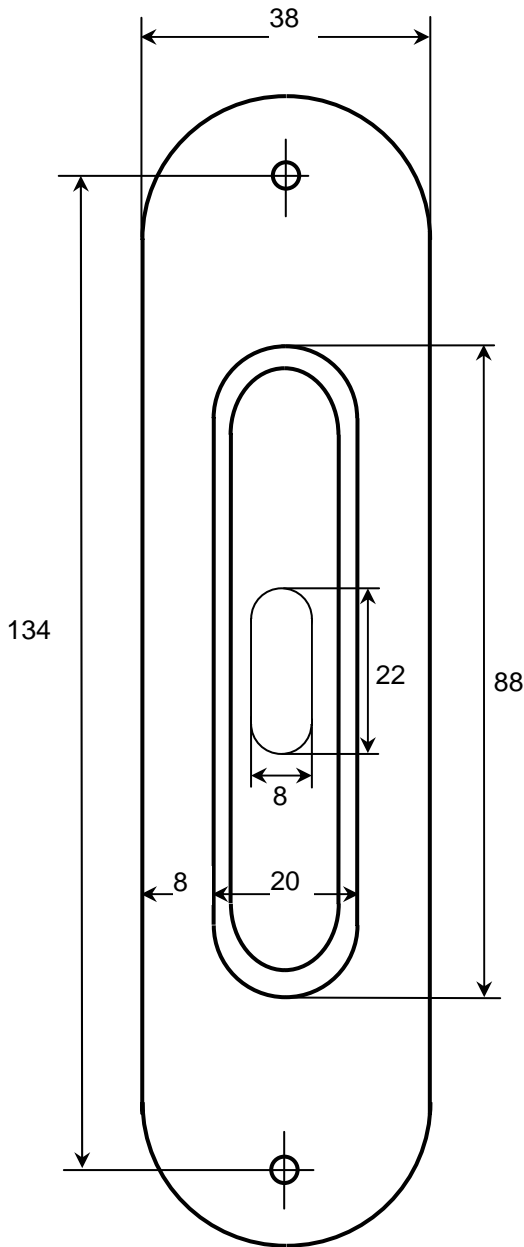


Sliding door handle Z1702 without hole
 Available in keyhole / Euro profile.
 Dimension 1:1 in mm



Karcher GmbH
 Design - Beschläge
 Raiffeisenstraße 32
 74906 Bad Rappenau
 Telefon 07264/9164-0
 Telefax 07264/9164-40
 Mail@Karcher-Design.de



30 mm
 50 mm
 Please do not change the scale and do not use the zoom in the printer options by printing. Please do not fit the print to the paper size but print in the original size. After printing, please check the dimensions showed beside (30mm and 50mm). If they are not correct you can not use this as a template.

Dimension to mill: 92 x 25 x 10 mm