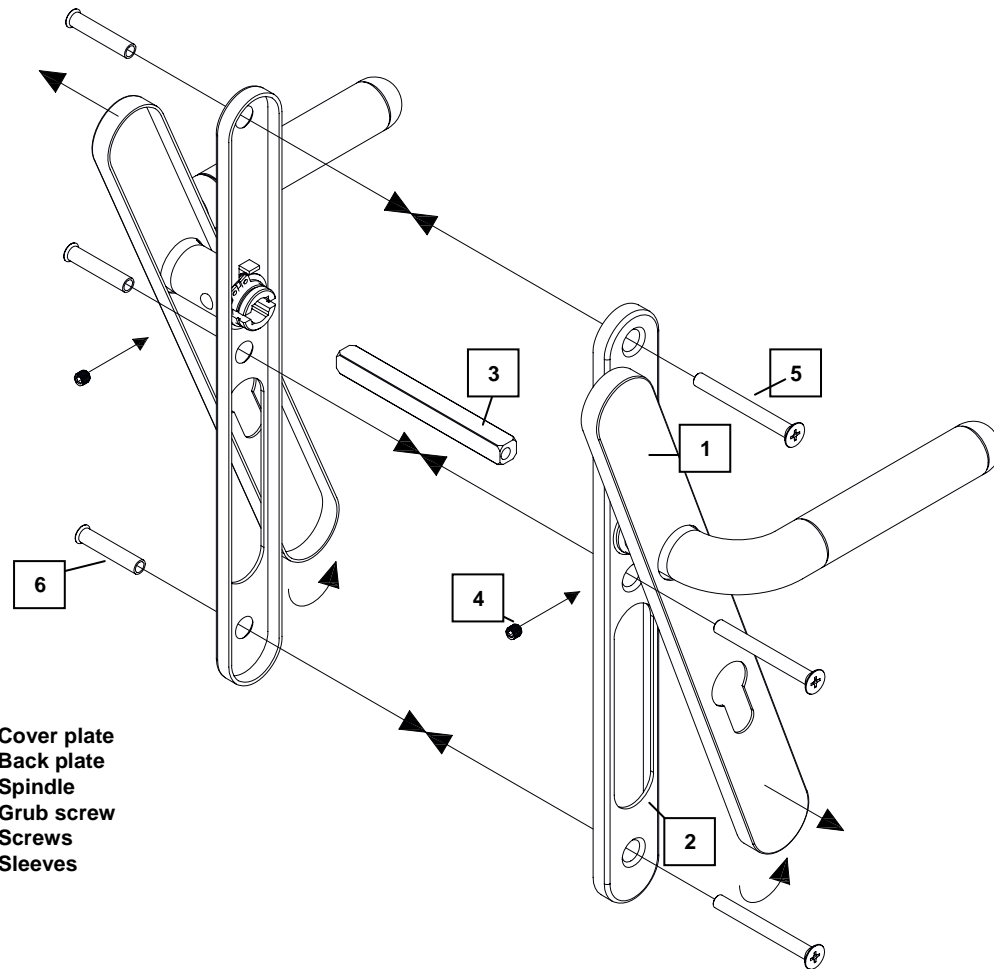


Assembly Instructions for Lever Sets on Plate



- 1: Cover plate
- 2: Back plate
- 3: Spindle
- 4: Grub screw
- 5: Screws
- 6: Sleeves

1. Put spindle (3) in lock follower and centre it.

Attention: Insert spindle (3) in this way that the point of the grub screw (4) can pierce through the thinnest side.

(Spindle (3) and bolt through fixings (5 + 6) up to 49mm door thickness)

2. Remove cover plate (1) and turn sideward respectively.

3. Attach back plate (2) with lever and centre it. Mark drilling holes to the door.

4. Remove plate (2) . Drill at marked positions on both sides to lock case. Drill Ø 6,5 mm.

5. Attach back plates (2) again and make sure that the spindle (3) fits in the correct way in the lock case and it is centred.

6. Secure with bolt through fixings (5+6) M5

7. Attach cover plates (1). (Please pay attention to bathroom sets that the cover plate with the locking bolt is mounted on the correct side)

8. Screw grub screws (4) in both levers and tighten them up. Make sure that they pierce through into the spindle.

9. Functional test.