

Tear Sheet  
 Model EPD - Pocket door set by KARCHER DESIGN

**KARCHER**  
  
**DESIGN**

GERMANY

contact our US office  
 Karcher Design NA  
 1042 Industry Dr.  
 Tukwila WA 98188  
 Office: 844 858-2033  
 Fax 253-236-4469  
 order@karcher-design.com  
 www.karcher-design.com



Finish: oil rubbed bronze (81)

**To suit 2 1/8" door prep**

**EPD- Pocket door set**

product code

EPD 81 outside pull with emergency release  
 inside pull with thumbturn, edge pull, lock, strikeplate

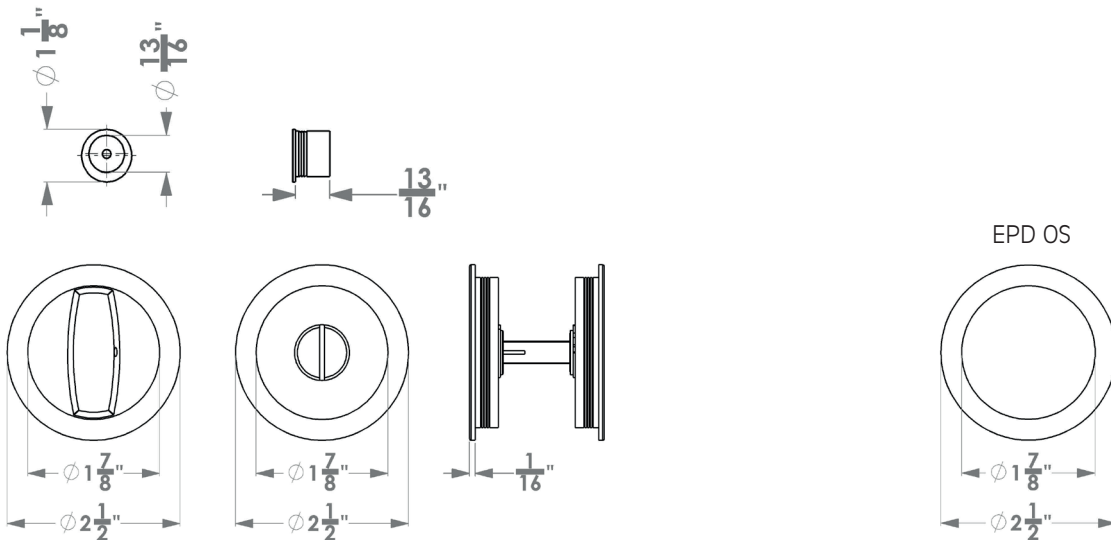
EPD PB 81 outside/inside pull with thumbturn, edge pull, lock,  
 strike plate

EPD OS 81 outside/inside pull blank, edge pull

**Features EPD**

- door prep rose 2 1/8" (54 mm) to press into door
- door prep rose 2 3/16" (55 mm) to glue into door
- door prep finger pull 1" (25 mm) fixed with screw
- available door thickness 1 3/8" (35 mm), 1 3/4" (45 mm) 2 3/13" (55 mm). Please specify door thickness
- backset 2" (49,50 mm)
- hub 5/16" (8 mm)
- lock with strike plate

**specification details**



Please note: Karcher Design products are designed and measured in metric. Imperial measurements are close approximations to the actual metric dimensions