

Tear Sheet
 Model EPD - Pocket door set by KARCHER DESIGN



contact our US office
 Karcher Design NA
 1042 Industry Dr.
 Tukwila WA 98188
 Office: 844 858-2033
 Fax 253-236-4469
 order@karcher-design.com
 www.karcher-design.com



Finish: cosmos black (83)

To suit 2 1/8" door prep

EPD- Pocket door set

product code

EPD 83 outside pull with emergency release
 inside pull with thumbturn, edge pull, lock, strikeplate

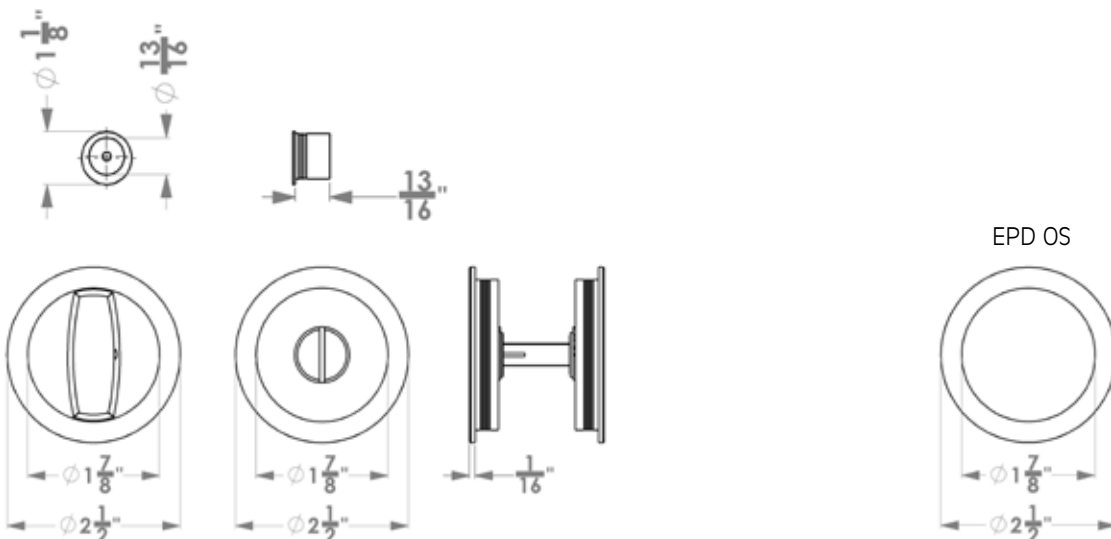
EPD PB 83 outside/inside pull with thumbturn, edge pull, lock,
 strike plate

EPD OS 83 outside/inside pull blank, edge pull

Features EPD

- door prep rose 2 1/8" (54 mm) to press into door
- door prep rose 2 3/16" (55 mm) to glue into door
- door prep finger pull 1" (25 mm) fixed with screw
- available door thickness 1 3/8" (35 mm), 1 3/4" (45 mm) 2 3/13" (55 mm). Please specify door thickness
- backset 2" (49,50 mm)
- hub 5/16" (8 mm)
- lock with strike plate

specification details



EPD OS

Please note: Karcher Design products are designed and measured in metric. Imperial measurements are close approximations to the actual metric dimensions