

Tear Sheet for UEL
Model New York on plate by KARCHER DESIGN

KARCHER
DESIGN

GERMANY

contact our US office
Karcher Design NA
1024 Industry DR.
Tukwila, WA 98188
+1 844 858 2033
order@karcher-design.com



New York

Finish: polished/satin stainless steel (73)

To suit 2 1/8" door prep, 5 1/2" center to center

New York- UEL 65

9 13/16" x 2 3/8" x 1/2" plate

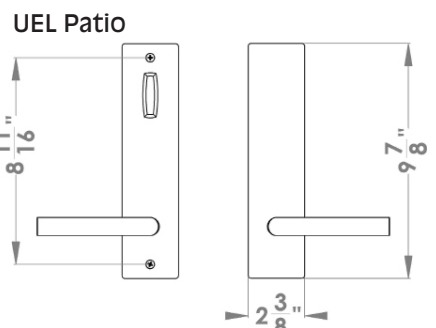
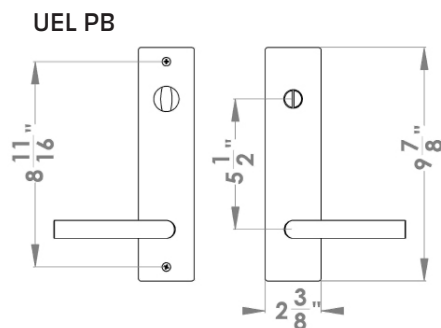
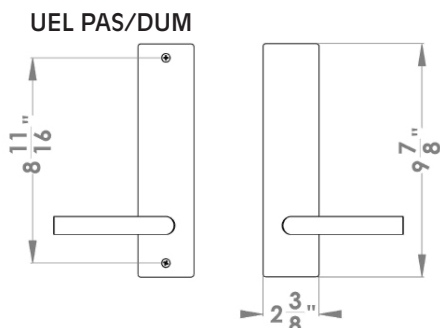
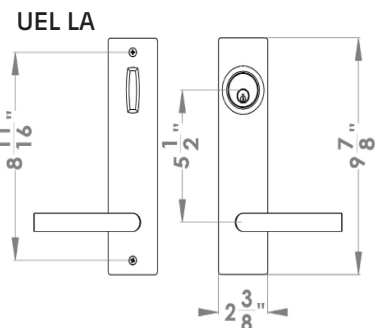
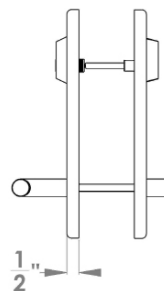
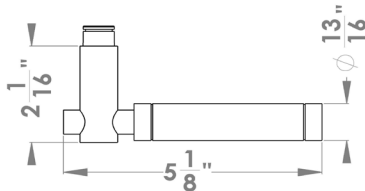
product code (handing required)

| | |
|----------------|--|
| UEL65 LA60 73 | single cylinder entry set, 2 3/8" backset |
| UEL65 LA70 73 | single cylinder entry set, 2 3/4" backset |
| UEZ D2 73 | distance ring for 1 3/8" door thickness |
| UEL65 PAS60 73 | passage 2 3/8" backset |
| UEL65 PAS70 73 | passage 2 3/4" backset |
| UEL65 PB60 73 | passage with separate privacy bolt, 2 3/8" backset |
| UEL65 PB70 73 | passage with separate privacy bolt, 2 3/4" backset |
| UEL65 PAT60 73 | patio, 2 3/8" backset |
| UEL65 PAT70 73 | patio, 2 3/4" backset |
| UEL65 DUM 73 | full dummy |
| UEL65 DUM L 73 | half dummy left |
| UEL65 DUM R 73 | half dummy right |

Features UEL65

- bolt-through fixing
- sprung
- door range 1 3/8" (35 mm) - 2" (51 mm) standard. Distance ring needed if door thickness is 1 3/8" (35 mm)
- T- and Lip-Strike with dust box
- stainless steel faceplate
- functions: single cylinder entry set (LA), passage (PAS), passage with separate privacy bolt (PB), patio (PAT), full dummy (DUM), dummy left (DUM L), dummy right (DUM R)
- grade of stainless steel 304
- hub 5/16" (8 mm)
- door prep 2 1/8", center to center 5 1/2"
- available finish: satin stainless steel, polished/satin stainless steel

specification details
lever



Please note: Karcher Design products are designed and measured in metric. Imperial measurements are close approximations to the actual metric dimensions