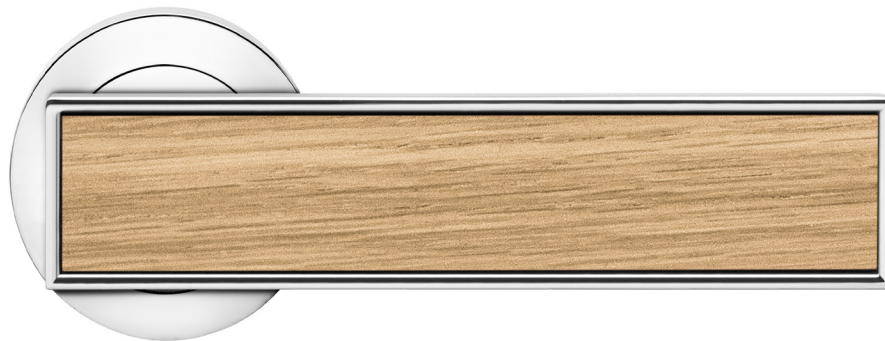


Tear Sheet
Model Torino on rose by KARCHER DESIGN

KARCHER
DESIGN

GERMANY

contact our US office
Karcher Design USA
Tukwila, Seattle
+1 844 858 2033
order@karcher-design.com



Torino

Finish: chrome (50) / inlay light oak (HE1)

To suit standard 2 1/8" door prep



Torino- UR 53Q
2 5/8 x 2 5/8 x 7/16"

product code square

UR53Q PAS60 50 ...	passage 2 3/8" backset
UR53Q PAS70 50 ...	passage 2 3/4" backset
UR53Q PRI60 50 ...	privacy 2 3/8" backset
UR53Q PRI70 50 ...	privacy 2 3/4" backset
UR53Q DUM 50 ...	full dummy
UR53Q DUM L 50 ...	half dummy left
UR53Q DUM R 50 ...	half dummy right
UEDBQ 72 ...	deadbolt to add to passage



Torino- UR 53
Ø 2 5/8 x 7/16"

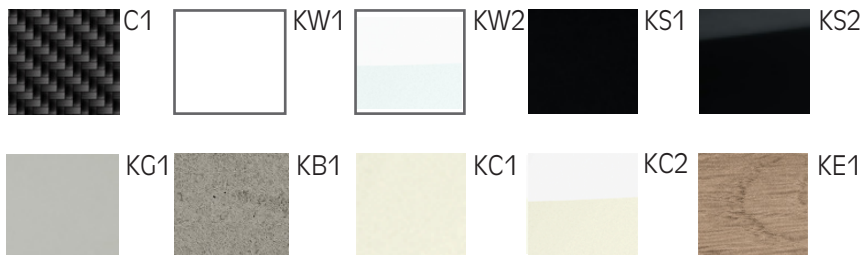
round

UR53 PAS60 50 ...	passage 2 3/8" backset
UR53 PAS70 50 ...	passage 2 3/4" backset
UR53 PRI60 50 ...	privacy 2 3/8" backset
UR53 PRI70 50 ...	privacy 2 3/4" backset
UR53 DUM 50 ...	full dummy
UR53 DUM L 50 ...	half dummy left
UR53 DUM R 50 ...	half dummy right
UEDB 72 ...	deadbolt to add to passage
UEDBA 72...	deadbolt keyed alike

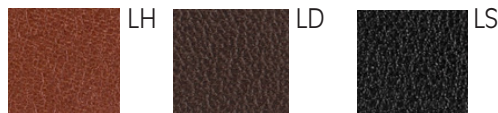
Features UR53Q and UR53

- 3 piece rose
- concealed bolt-through fixing
- sprung
- door range 1 1/4" (31 mm) - 2" (51 mm) standard
- T- and Lip-Strike with dust box
- stainless steel faceplate
- backsets: 2 3/8" (60 mm) or 2 3/4" (70 mm)
- functions: Passage (PAS), Privacy (PRI), full dummy (DUM), dummy left (DUM L), dummy right (DUM R)
- available with UL-Latch
- 28° latch with attached face plate
- rate of satin stainless steel 304
- hub 5/16" (8 mm)
- door prep 2 1/8"
- available finish: chrome, satin nickel

laminate and carbon



leather



wood



choose your inlay:

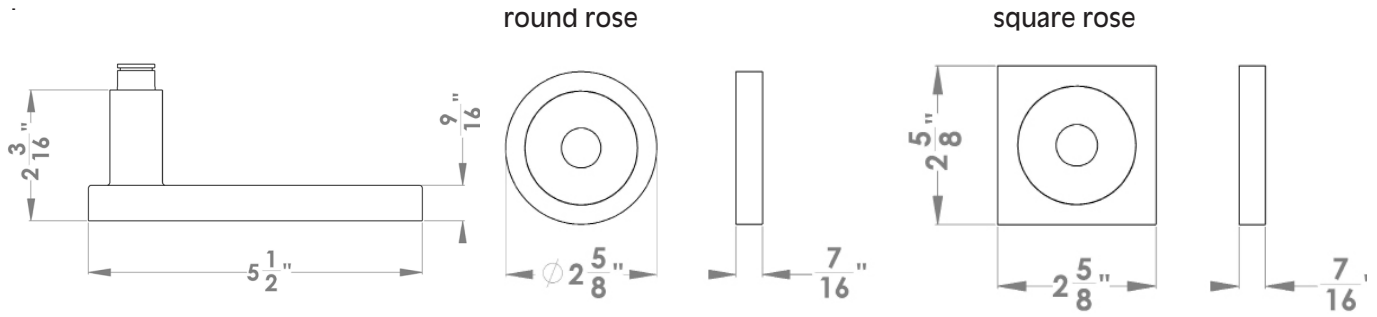
C1:	real carbon
KW1:	white
KW2:	shining white
KS1:	black
KS2:	shining black
KG1:	grey
KB1:	concrete texture
KC1:	cream white
KC2:	shining cream white
KE1:	light oak texture

LH:	light brown leather
LD:	dark brown leather
LS:	black leather

HS:	ebony
HE1:	light oak
HE2:	rustic oak

Inlays for model Torino UR53 to complete article code above (i.e. UR53Q PAS60 50 KE1)

specification details



Please note: Karcher Design products are designed and measured in metric. Imperial measurements are close approximations to the actual metric dimensions