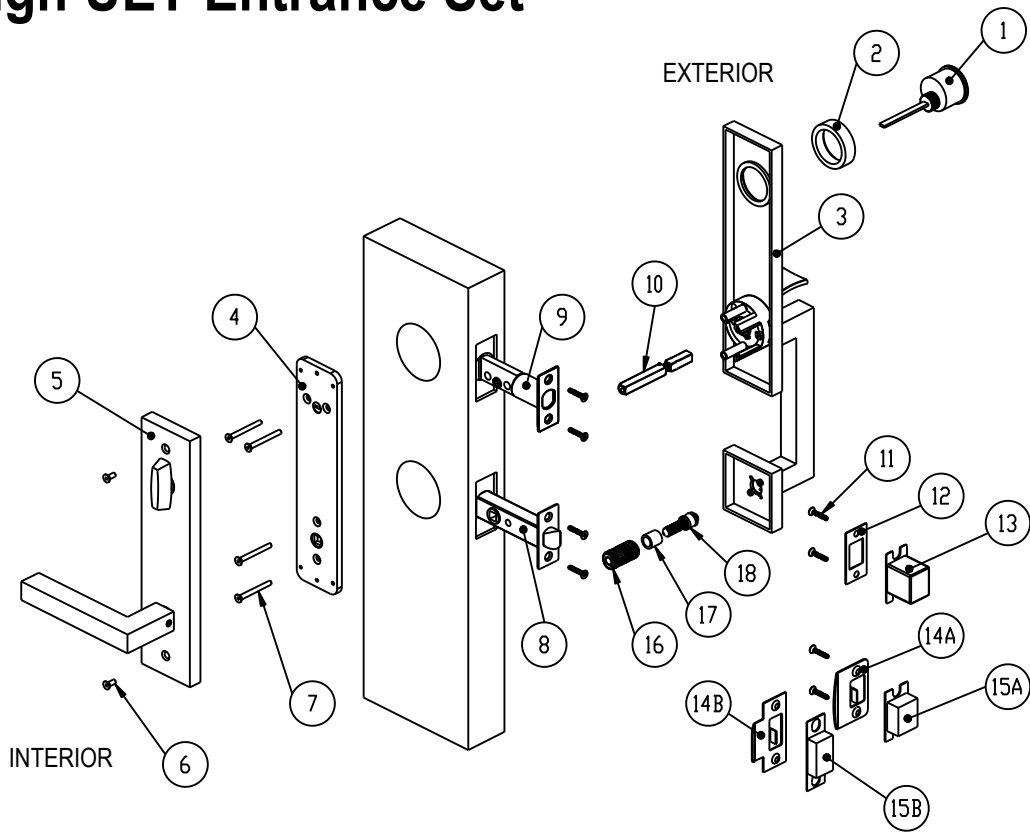
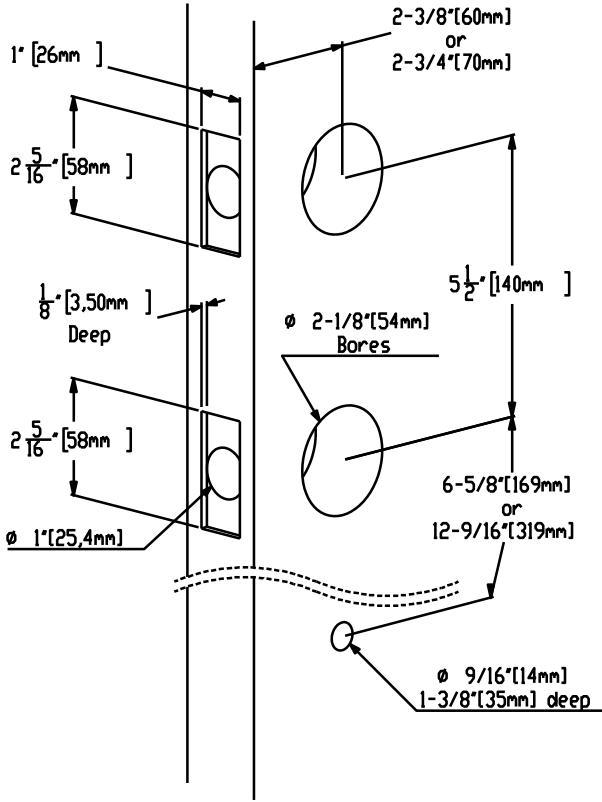


# Installation Instructions for Karcher Design UET Entrance Set

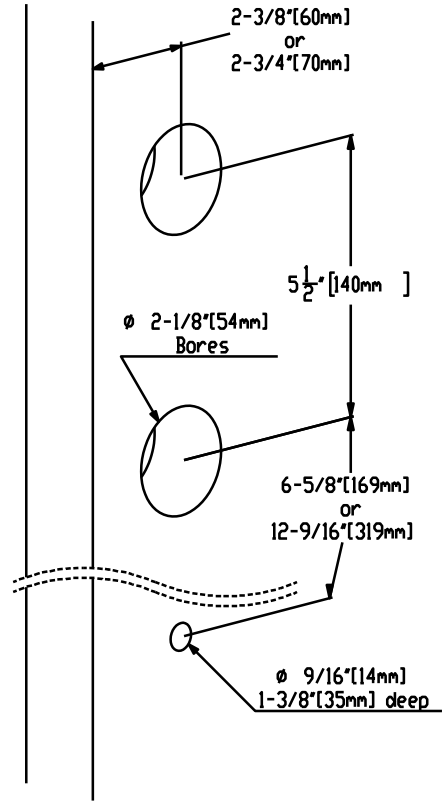


1.	Cylinder	(1 pc.)	11.	Wood screws	(8 pc.)
2.	Cylinder collar (optional)	(1 pc.)	12.	Deadbolt strike	(1 pc.)
3.	Exterior plate with pull handle	(1 pc.)	13.	Dust box (deadbolt strike)	(1 pc.)
4.	Mounting plate / Interconnection device	(1 pc.)	14A.	Lip strike plate	(1 pc.)
5.	Interior plate	(1 pc.)	14B.	T-Strike plate	(1 pc.)
6.	Cover screws	(1 pc.)	15A.	Dust box (lip strike)	(1 pc.)
7.	Mounting screws (for thick/thin doors)	(4 pc./4 pc.)	15B.	Dust box (T-Strike)	(8 pc.)
8.	Passage latch	(1 pc.)	16.	Insert nut (for wood)	(1 pc.)
9.	Deadbolt latch	(1 pc.)	17.	Spacer	(1 pc.)
10.	Split spindle	(1 pc.)	18.	Pull handle fixing	(1 pc.)

## Door Prep UET LA / UET LA ID

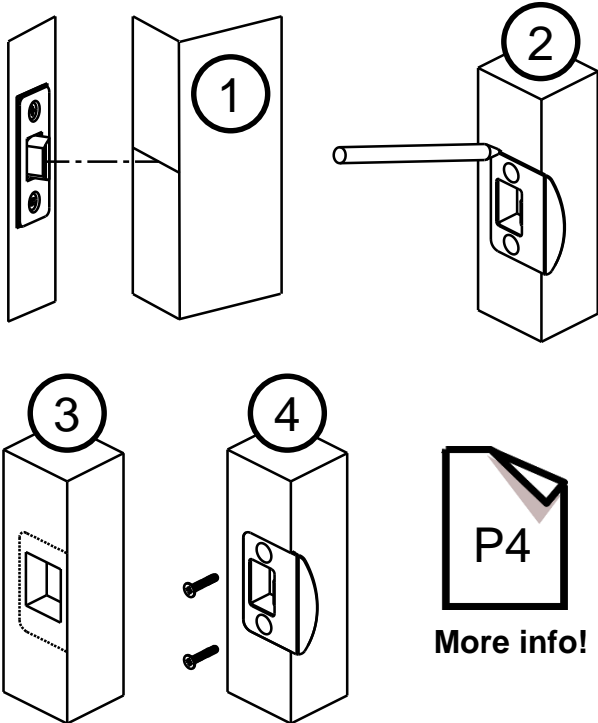


## Door Prep UET Dummy



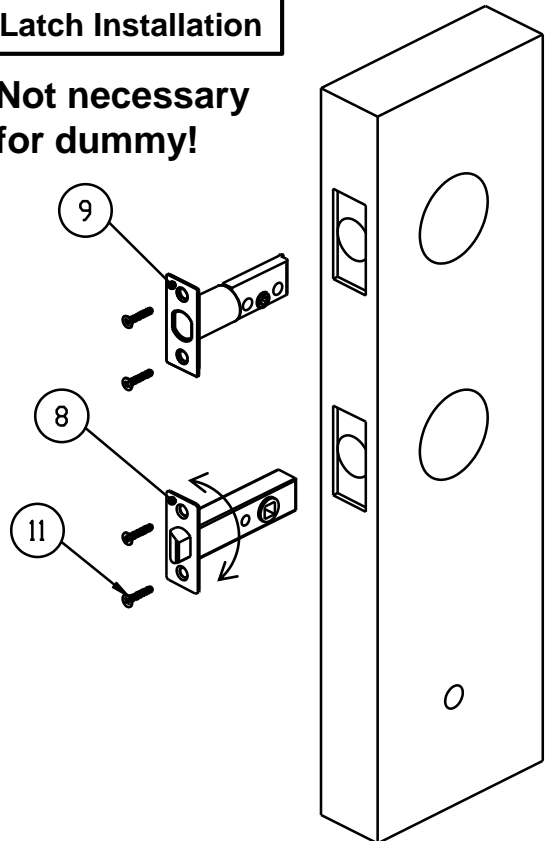
## Door Jamb and Strikes

Not necessary  
for dummy!

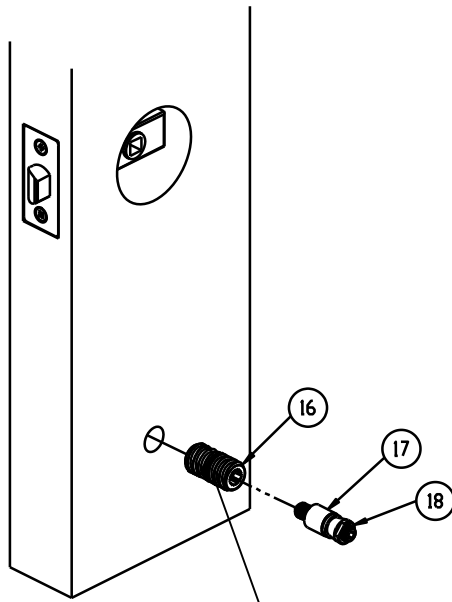


## Latch Installation

Not necessary  
for dummy!



## Pull Handle Fixture



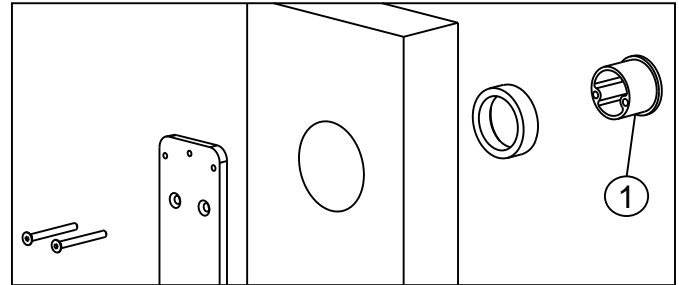
Insert nut (16) for wooden doors.

Other fixing options may be available on request

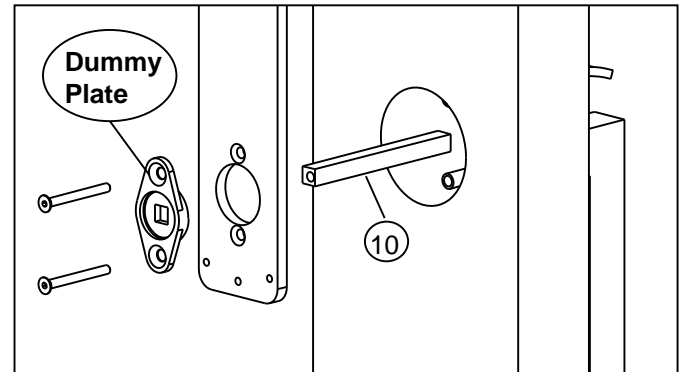
## Only for dummy assembly!

Assembly process stays the same with different parts!

### Part 1 – Dummy Cylinder

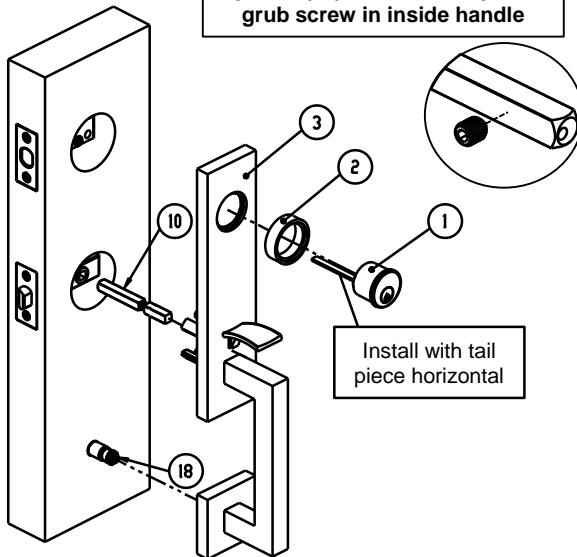


### Part 10 – Spindle + Dummy Plate



## Outside Trim

Important! – Eccentric hole in spindle (10) should line up with grub screw in inside handle

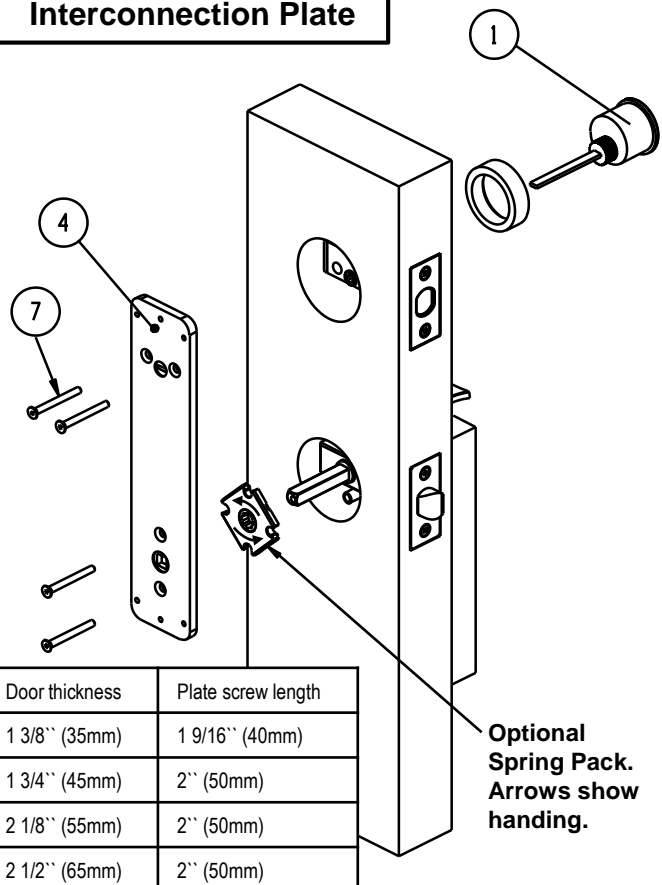


Install with tail piece horizontal

Optional: Use the cylinder collar (2) for thin doors

Door thickness	Use of cylinder collar	Cylinder screws
1 3/8" (35mm)	Yes	2 3/8" (60mm)
1 3/4" (45mm)	Yes	2 3/8" (60mm)
2 1/8" (55mm)	No	2 3/8" (60mm)
2 1/2" (65mm)	No	2 3/4" (70mm)

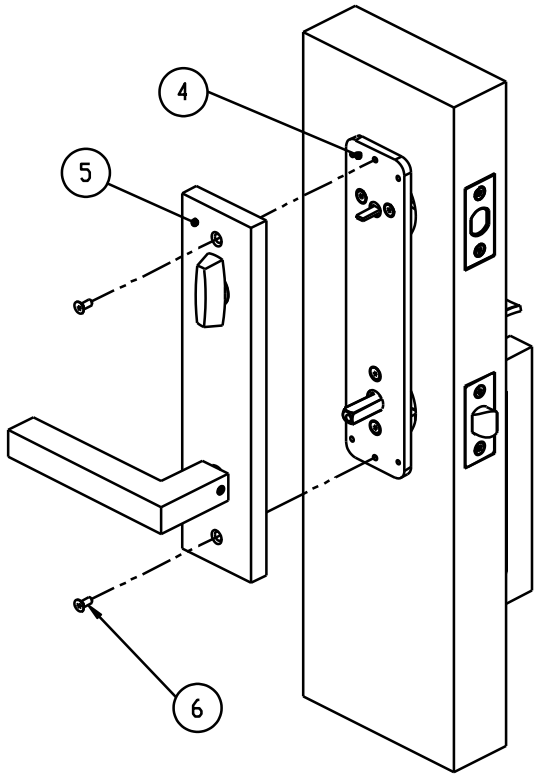
## Interconnection Plate



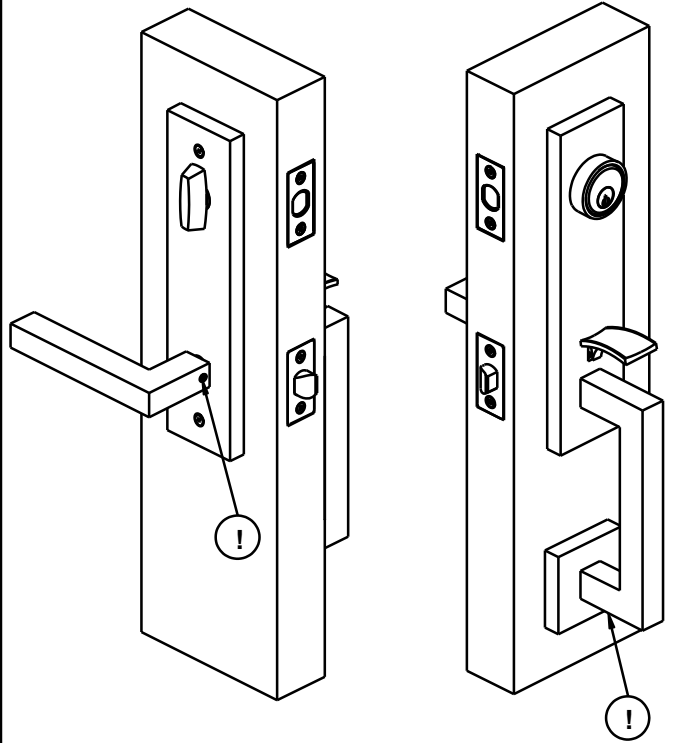
Optional Spring Pack. Arrows show handing.

Door thickness	Plate screw length
1 3/8" (35mm)	1 9/16" (40mm)
1 3/4" (45mm)	2" (50mm)
2 1/8" (55mm)	2" (50mm)
2 1/2" (65mm)	2" (50mm)

### Inside Trim



### Tighten Grub Screws



**A.: Deadbolt Strike**

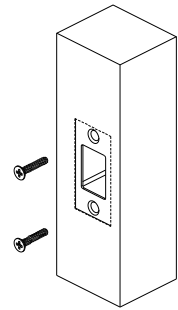
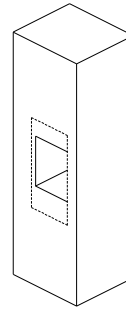
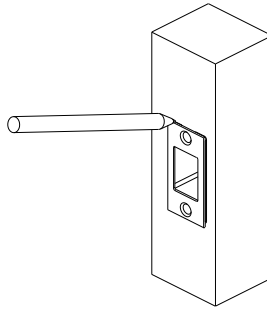
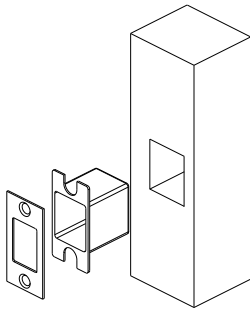
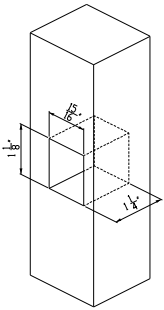
A.1: Cut out a 1 1/8" x 15/16" x 1 1/4" (29mm x 24.5mm x 32mm) base around the determined center.

A.2: Insert the dust cover in the pocket and put the deadbolt strike plate on top.

A.3: Use the deadbolt strike as a template and mark the outer edge with a pencil.

A.4: Cut the marked area out with a depth of 3/32" that deadbolt strike plate is flush.

A.5: Install the deadbolt strike using the wood screws provided.



**B.: Lip Strike**

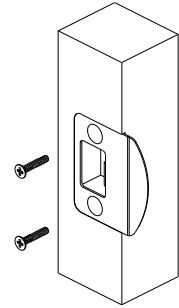
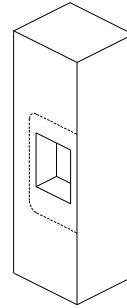
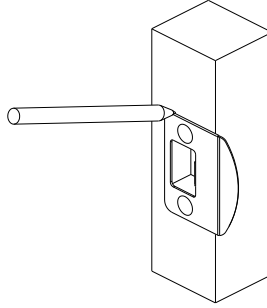
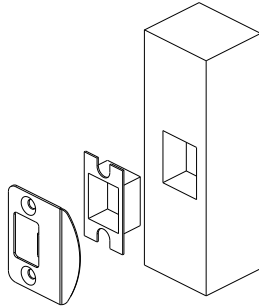
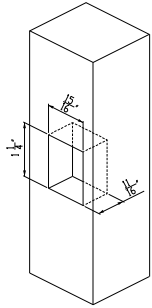
B.1: Cut out a 1 1/4" x 15/16" x 11/16" (31mm x 24.5mm x 17mm) base around the determined center.

B.2: Insert the dust cover in the pocket and put the lip strike plate on top.

B.3: Use the lip strike as a template and mark the outer edge with a pencil.

B.4: Cut the marked area out with a depth of 3/32" that lip strike plate is flush.

B.5: Install the Lip strike using the wood screws provided.



**C.: T-Strike**

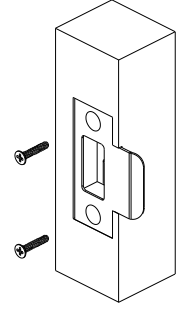
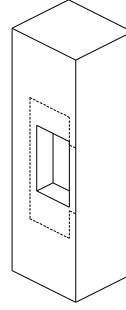
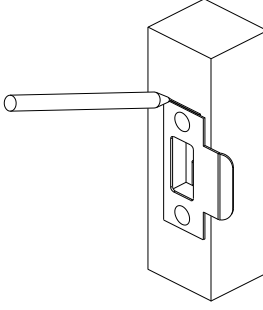
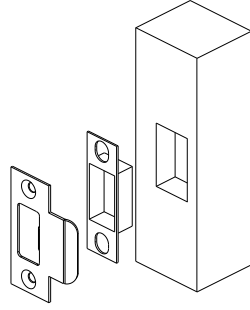
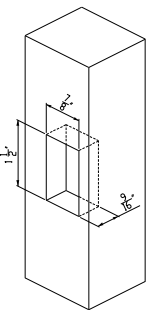
C.1: Cut out a 1 1/2" x 7/8" x 9/16" (38mm x 23mm x 14mm) base around the determined center.

C.2: Insert the dust cover in the pocket and put the bolt T-strike on top.

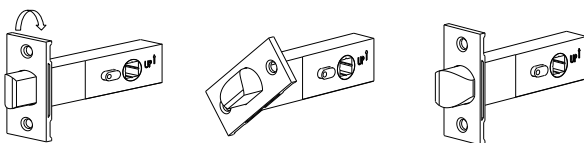
C.3: Use the T-strike as a template and mark the outer edge with a pencil.

C.4: Cut out the marked area with a depth of 3/32" that lip strike is flush.

C.5: Fix the T-Strike using the wood screws provided.



**7.Change of latch tongue direction (28° latch)**



Turn forend plate by 180°.

# Limited Warranty

Karcher Design warrants to the original purchaser and first consumer owner that its products shall be free from defects in material or workmanship for 2 years after purchase.

Subject to the conditions stated below, Karcher Design shall repair or replace (at our sole discretion) any defective product at no further charge.

This warranty is valid only for the original purchaser and first consumer owner and is not transferable.

This warranty *only* applies to products purchased directly from an authorized dealer of Karcher Design products. Our website contains a list of authorized dealers. You may be asked for proof of purchase, so please retain your receipt.

To obtain warranty service, please contact an authorized reseller dealer directly. Do not contact Karcher Design directly with warranty questions.

This warranty does not apply to ordinary wear and tear or to damage caused by conditions beyond Karcher Design's control, including but not limited to accidents, lack of reasonable care, weather conditions, improper installation or maintenance, alteration, or abuse. In particular, this warranty does not apply to products that are not intended to be used outdoors (including products made out of wood, leather, carbon, glass, laminate, and satin nickel) that are in fact used outdoors.

THE REMEDIES DESCRIBED ABOVE ARE YOUR SOLE AND EXCLUSIVE REMEDIES, AND CONSTITUTE KARCHER DESIGN'S ENTIRE LIABILITY FOR ANY BREACH OF THIS LIMITED WARRANTY. KARCHER DESIGN EXCLUDES AND EXPRESSLY DISCLAIMS LIABILITY FOR ANY CONSEQUENTIAL, INDIRECT, INCIDENTAL OR SPECIAL DAMAGES OF ANY NATURE ARISING OUT OF THE SALE, INSTALLATION, MAINTENANCE, USE OR FAILURE OF ANY KARCHER DESIGN PRODUCT, INCLUDING BUT NOT LIMITED TO LOSS OF PROFITS, PROPERTY DAMAGE, DAMAGES TO BUSINESS OR BUSINESS RELATIONS OR DAMAGES FOR LOSS OF OPERATION. IN ALL EVENTS KARCHER DESIGN'S LIABILITY WILL BE CAPPED AT THE PURCHASE PRICE PAID FOR THE PRODUCT.

Some states do not allow limitations on how long an implied warranty lasts, so the above limitation may not apply to you. Some states do not allow the exclusion or limitation of incidental or consequential damages, so the above limitation or exclusion may not apply to you. This warranty gives you specific legal rights, and you may also have other rights which vary from state to state.

No representative or employee of Karcher Design is authorized to make any modification or addition to this warranty.

Karcher Design NA, LLC  
1024 Industry Dr.  
Tukwila WA 98188  
Office: 559-475-8274  
Fax: 253-236-4469

KARCHER  
  
DESIGN

GERMANY  
KARCHER DESIGN NA  
1042 Industry Drive  
Tukwila, WA 98188  
United States of America