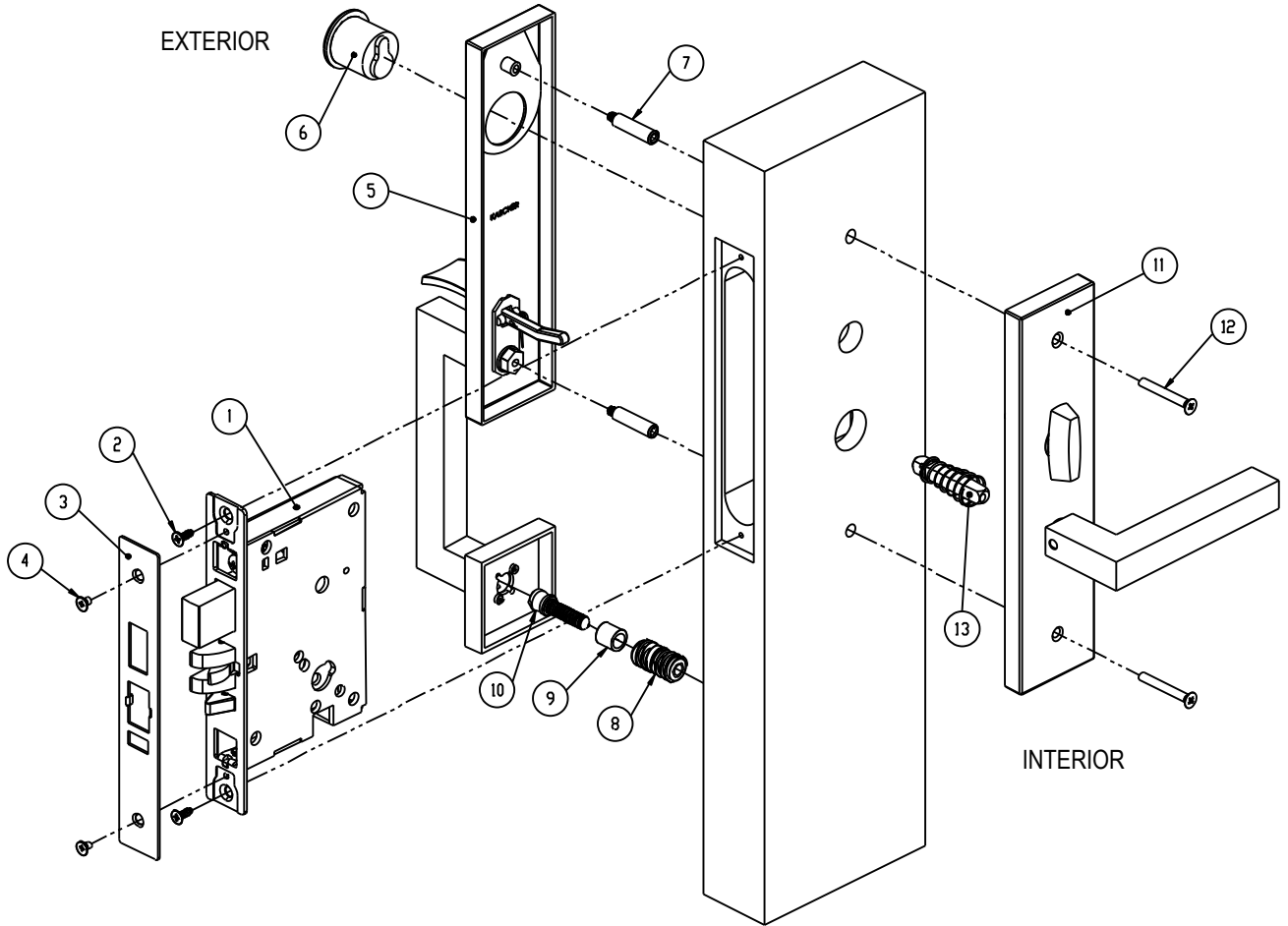
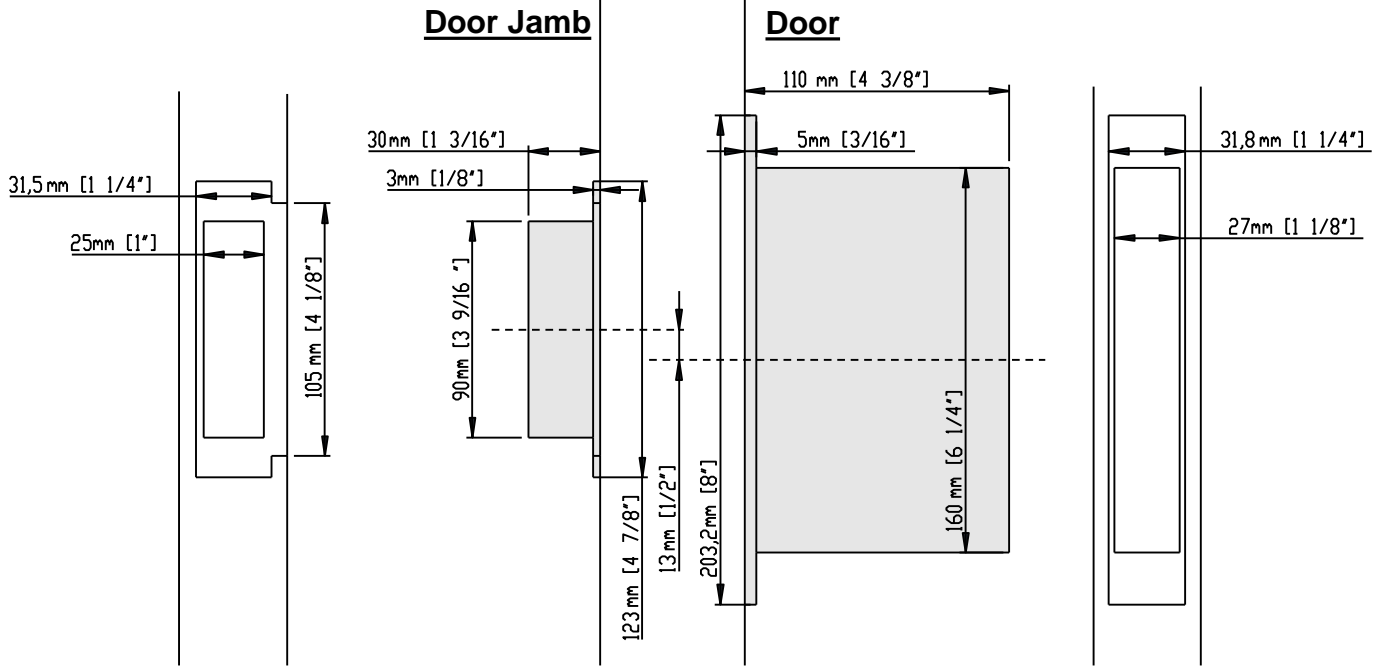


# Installation Instructions for Karcher Design UETM Entrance Set

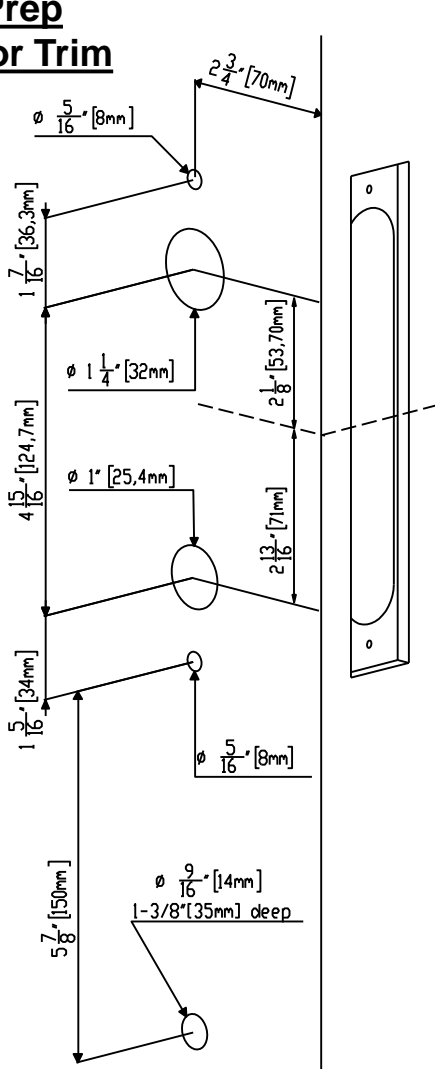


1.	Mortise Lock KAMO	(1 pc.)	8.	Insert Nut (for wood)	(1 pc.)
2.	Lock Screws	(2 pc.)	9.	Spacer	(1 pc.)
3.	Faceplate	(1 pc.)	10.	Pull Handle Fitting	(1 pc.)
4.	Faceplate Screws	(2 pc.)	11.	Interior Plate	(1 pc.)
5.	Exterior plate	(1 pc.)	12.	Fixing Screws (Short/Long)	(2 pc./2pc)
6.	Mortise Cylinder	(1 pc.)	13.	Square Spindle	(1 pc.)
7.	Threaded Bushings	(2 pc.)	<b>Note:</b>	Strike plate with dust box included	

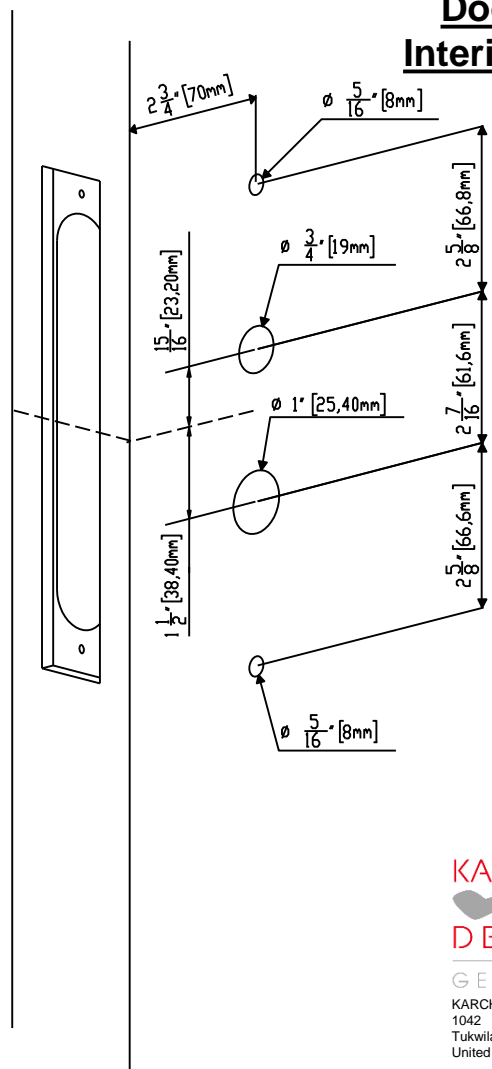
# Door Prep Mortise Lock and Strike



## Door Prep Exterior Trim

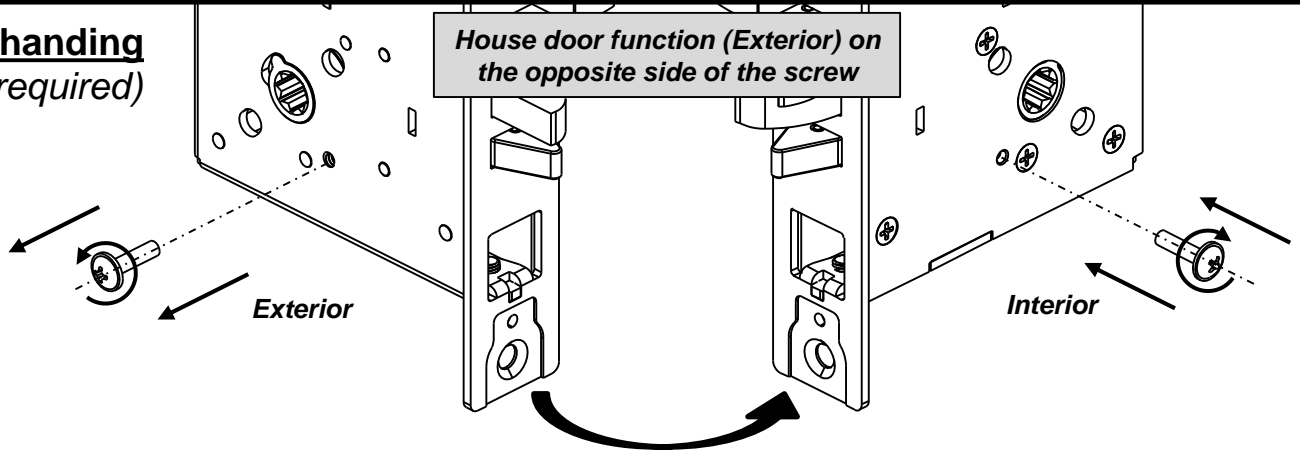


## Door Prep Interior Trim



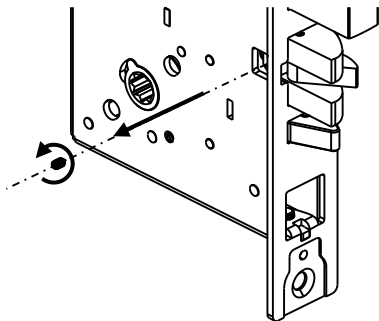
# Lock Preparation

## Rehanding (if required)

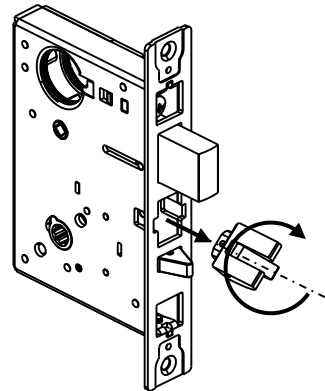


## Latch reversal (if required)

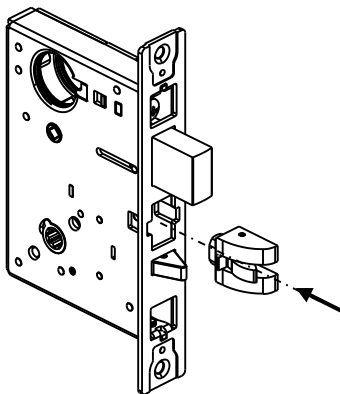
①



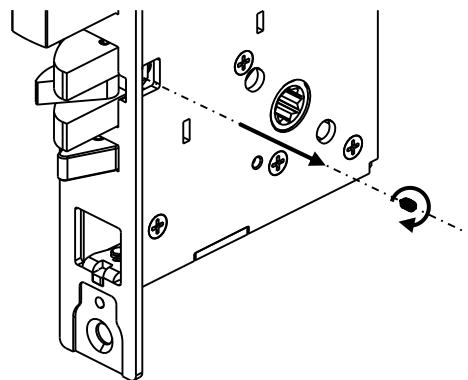
②



③

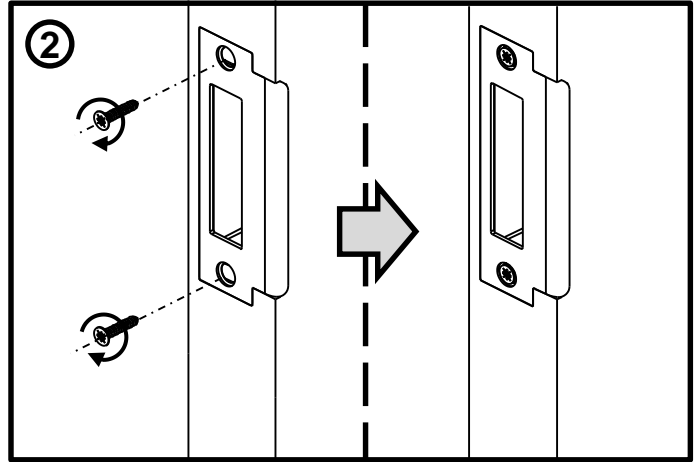
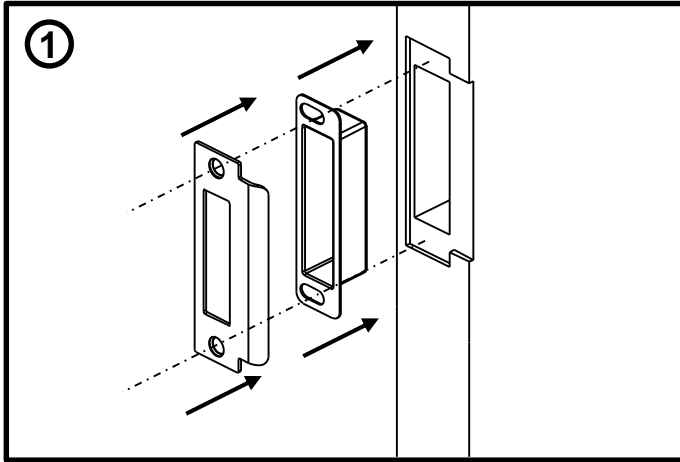


④

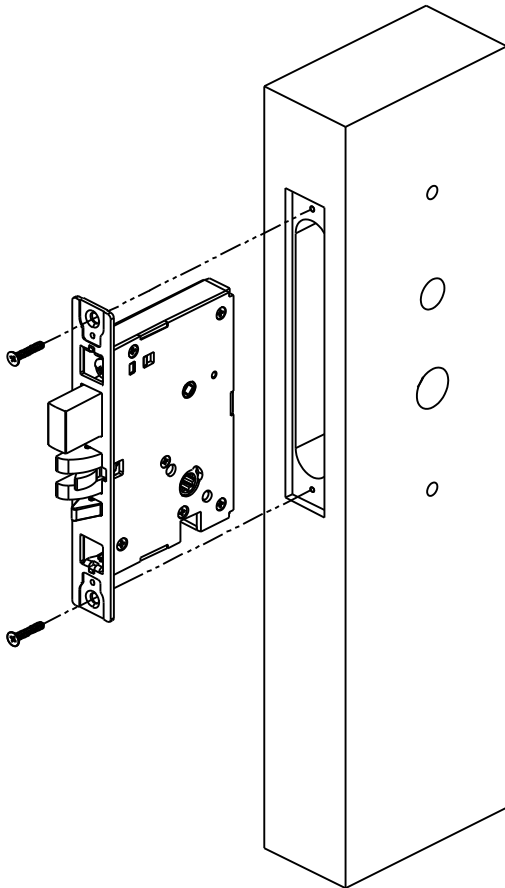


## Strike Plate Installation

**Note:** The lock is supplied with wood screws.  
Please use screws suitable for your door and frame construction

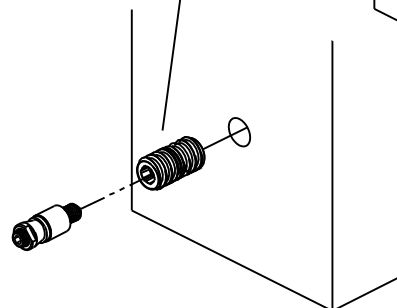
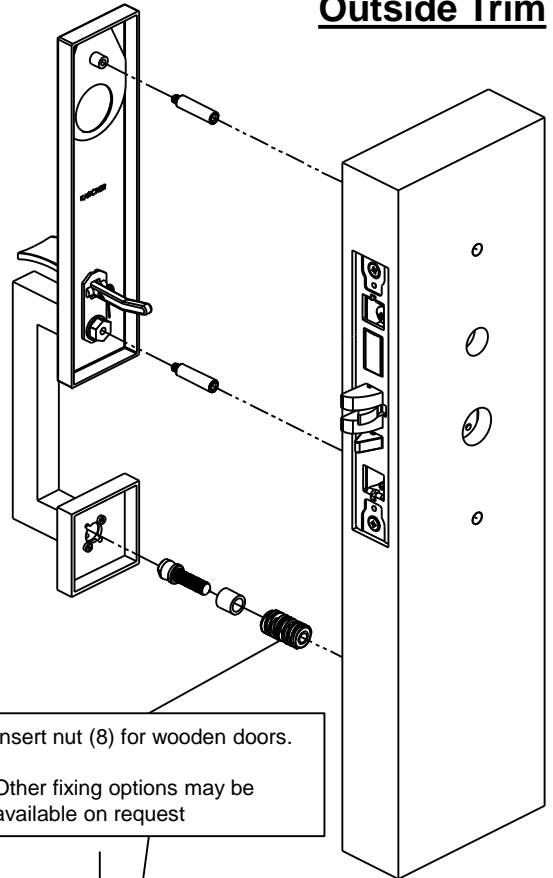


## Lock Installation



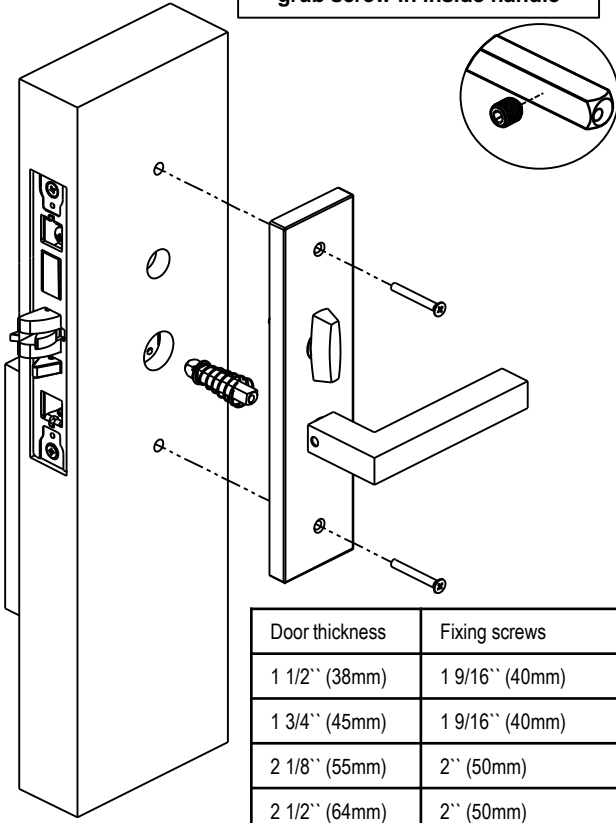
**Note:** The lock is supplied with wood screws.  
Please use screws suitable for your door and  
frame construction

## Outside Trim



## Inside Trim

Important! – Eccentric hole in spindle (10) should line up with grub screw in inside handle

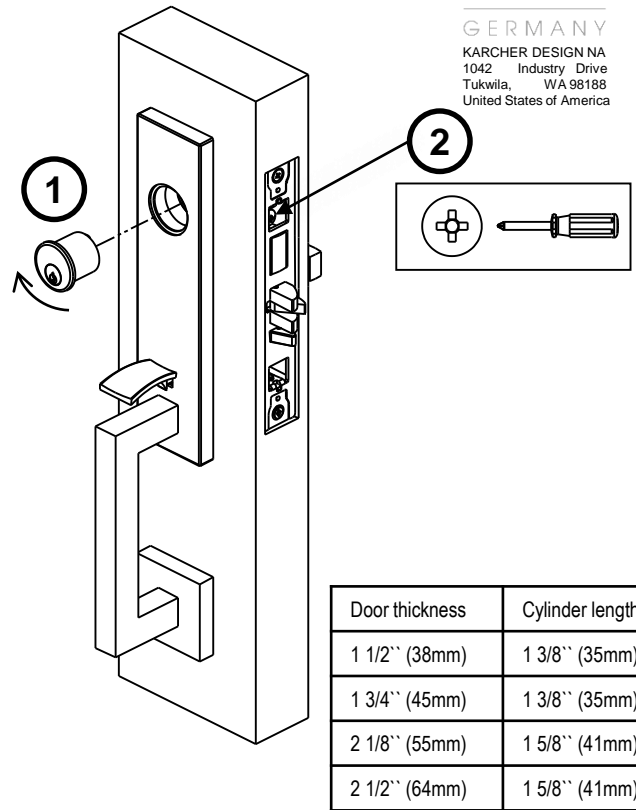


Door thickness	Fixing screws
1 1/2" (38mm)	1 9/16" (40mm)
1 3/4" (45mm)	1 9/16" (40mm)
2 1/8" (55mm)	2" (50mm)
2 1/2" (64mm)	2" (50mm)

## Cylinder Insertion

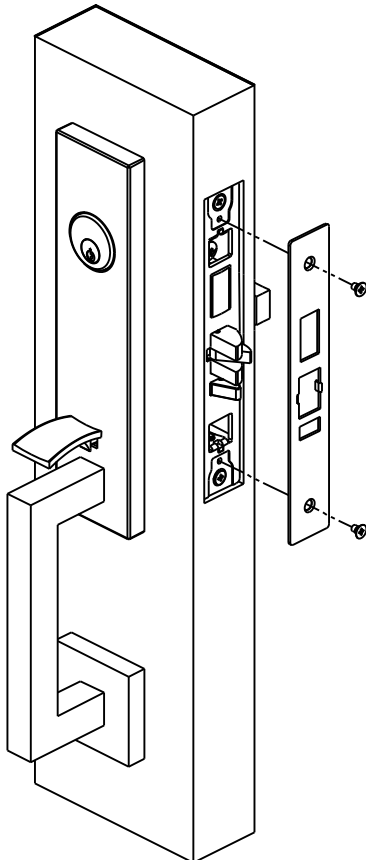
**KARCHER**  
DESIGN

GERMANY  
KARCHER DESIGN NA  
1042 Industry Drive  
Tukwila, WA 98188  
United States of America

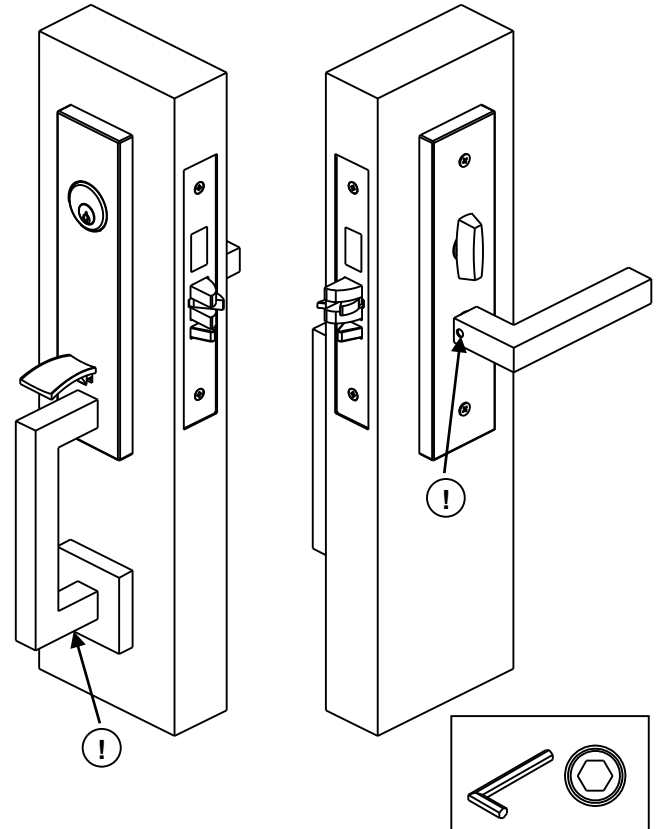


Door thickness	Cylinder length
1 1/2" (38mm)	1 3/8" (35mm)
1 3/4" (45mm)	1 3/8" (35mm)
2 1/8" (55mm)	1 5/8" (41mm)
2 1/2" (64mm)	1 5/8" (41mm)

## Lock Plate



## Tighten Grub Screws



# Limited Warranty

Karcher Design warrants to the original purchaser and first consumer owner that its products shall be free from defects in material or workmanship for 2 years after purchase.

Subject to the conditions stated below, Karcher Design shall repair or replace (at our sole discretion) any defective product at no further charge.

This warranty is valid only for the original purchaser and first consumer owner and is not transferable.

This warranty *only* applies to products purchased directly from an authorized dealer of Karcher Design products. Our website contains a list of authorized dealers. You may be asked for proof of purchase, so please retain your receipt.

To obtain warranty service, please contact an authorized reseller dealer directly. Do not contact Karcher Design directly with warranty questions.

This warranty does not apply to ordinary wear and tear or to damage caused by conditions beyond Karcher Design's control, including but not limited to accidents, lack of reasonable care, weather conditions, improper installation or maintenance, alteration, or abuse. In particular, this warranty does not apply to products that are not intended to be used outdoors (including products made out of wood, leather, carbon, glass, laminate, and satin nickel) that are in fact used outdoors.

THE REMEDIES DESCRIBED ABOVE ARE YOUR SOLE AND EXCLUSIVE REMEDIES, AND CONSTITUTE KARCHER DESIGN'S ENTIRE LIABILITY FOR ANY BREACH OF THIS LIMITED WARRANTY. KARCHER DESIGN EXCLUDES AND EXPRESSLY DISCLAIMS LIABILITY FOR ANY CONSEQUENTIAL, INDIRECT, INCIDENTAL OR SPECIAL DAMAGES OF ANY NATURE ARISING OUT OF THE SALE, INSTALLATION, MAINTENANCE, USE OR FAILURE OF ANY KARCHER DESIGN PRODUCT, INCLUDING BUT NOT LIMITED TO LOSS OF PROFITS, PROPERTY DAMAGE, DAMAGES TO BUSINESS OR BUSINESS RELATIONS OR DAMAGES FOR LOSS OF OPERATION. IN ALL EVENTS KARCHER DESIGN'S LIABILITY WILL BE CAPPED AT THE PURCHASE PRICE PAID FOR THE PRODUCT.

Some states do not allow limitations on how long an implied warranty lasts, so the above limitation may not apply to you. Some states do not allow the exclusion or limitation of incidental or consequential damages, so the above limitation or exclusion may not apply to you. This warranty gives you specific legal rights, and you may also have other rights which vary from state to state.

No representative or employee of Karcher Design is authorized to make any modification or addition to this warranty.

Karcher Design NA, LLC  
1024 Industry Dr.  
Tukwila WA 98188  
Office: 559-475-8274  
Fax: 253-236-4469

KARCHER  
  
DESIGN

GERMANY  
KARCHER DESIGN NA  
1042 Industry Drive  
Tukwila, WA 98188  
United States of America