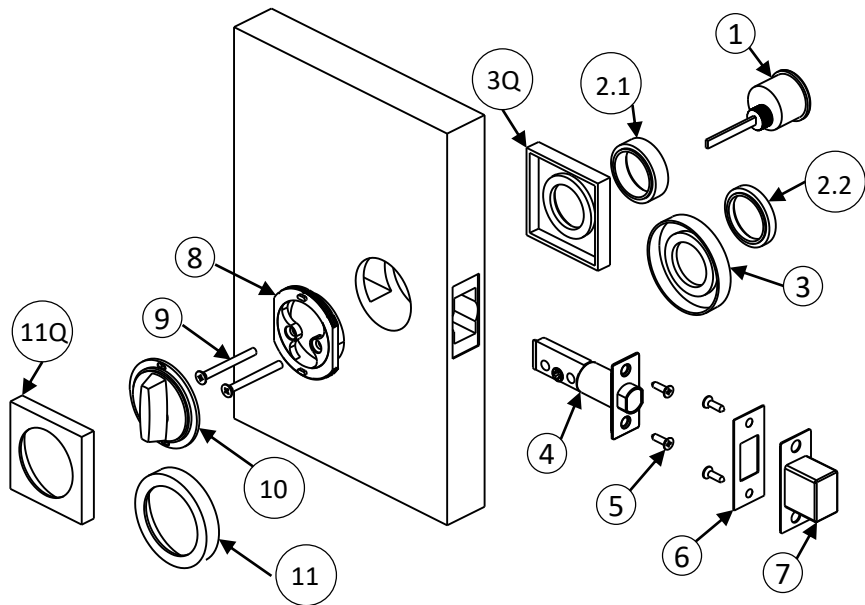


Installation Instructions for KARCHER DESIGN UEDB(Q) 2



Content

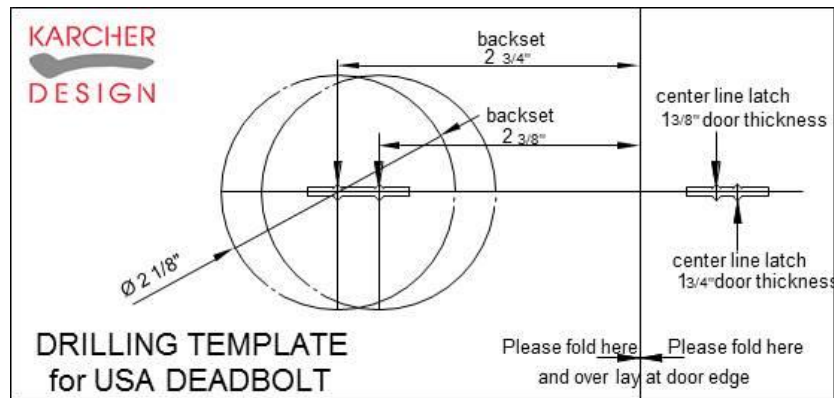
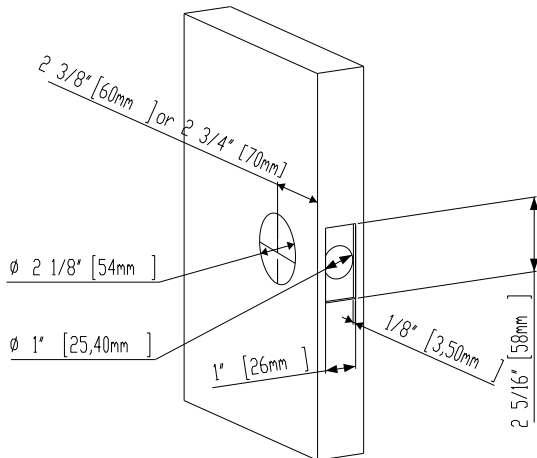
1 Cylinder	2.1 Cylinder collar 1/4"	3 / 3Q Outer rose
	2.2 Cylinder collar 1/2"	
4 Deadbolt latch	5 Wood screws	6 Faceplate
7 Dust box	8 Mounting plate	9 Fixing screws (M5)
10 Plate with thumbturn	11 / 11Q Screw on ring	

Note: Only one set of roses (square or round) are included.

1 Prepare the door

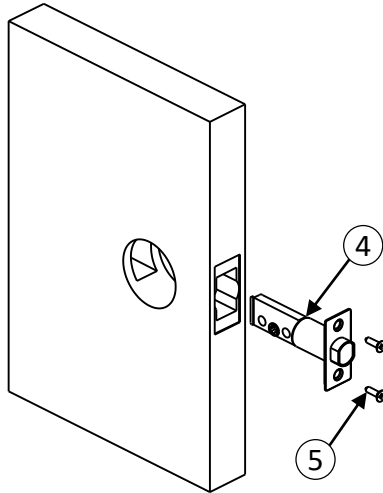
Draw a level, horizontal center line on both sides of the door at least 3" (76mm) long. The standard height for a handle set is 36" (914mm) from the finished floor. Please adjust the deadbolt to your preferred height.

Fold the included template over the edge of the door and mark the door for either a 2 3/8" (60mm) or 2 3/4" (70mm) backset as the center-point for drilling. Bore a 2 1/8" (54mm) hole half way through the door on each side to prevent splintering of the door surface. Drill a 1" (26mm) hole on the edge of the door for the latch. Finally, cut out a rectangular section for the latch faceplate 2 5/16" x 1" x 1/8" (58x26x3mm).



2 Installation of the deadbolt latch

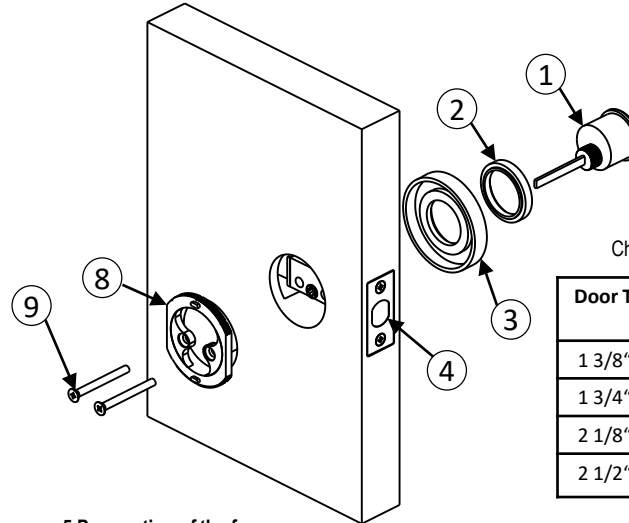
The deadbolt latch can be adjusted to 2 3/8" (60mm) and 2 3/4" (70mm) by turning the latch body. Install latch (4) using the included wood screws (5). Please ensure that the latch is installed in the correct orientation, with the holes for the bolt-through fixings at the bottom.



3 Fixture of the cylinder

Insert the cylinder (1) through the collar (2) (see table) and outer rose (3) into the latch (4). Ensure that the cylinder tailpiece is inserted vertically. Place the mounting plate (8) onto the door. Connect both sides using fixing screws (9). For UEDBQ 2, check that the outer rose (3) is in the desired orientation.

Tip: The cylinder can be rotated slightly to more easily find the threads for the fixing screws.

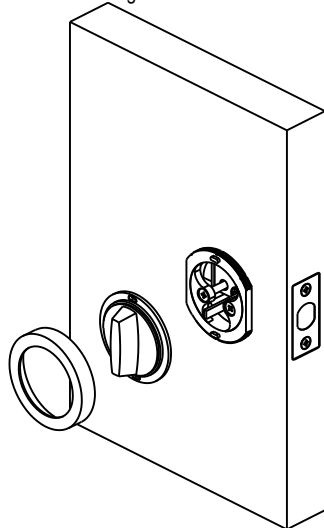


Choose cylinder screws for different door thickness:

Door Thickness	Length of fixing screws (9)	Cylinder collar (2)
1 3/8" (35mm)	2" (50mm)	1/2"
1 3/4" (45mm)	2" (50mm)	1/4"
2 1/8" (55mm)	2 3/8" (60mm)	1/4"
2 1/2" (65mm)	2 3/8" (60mm)	None

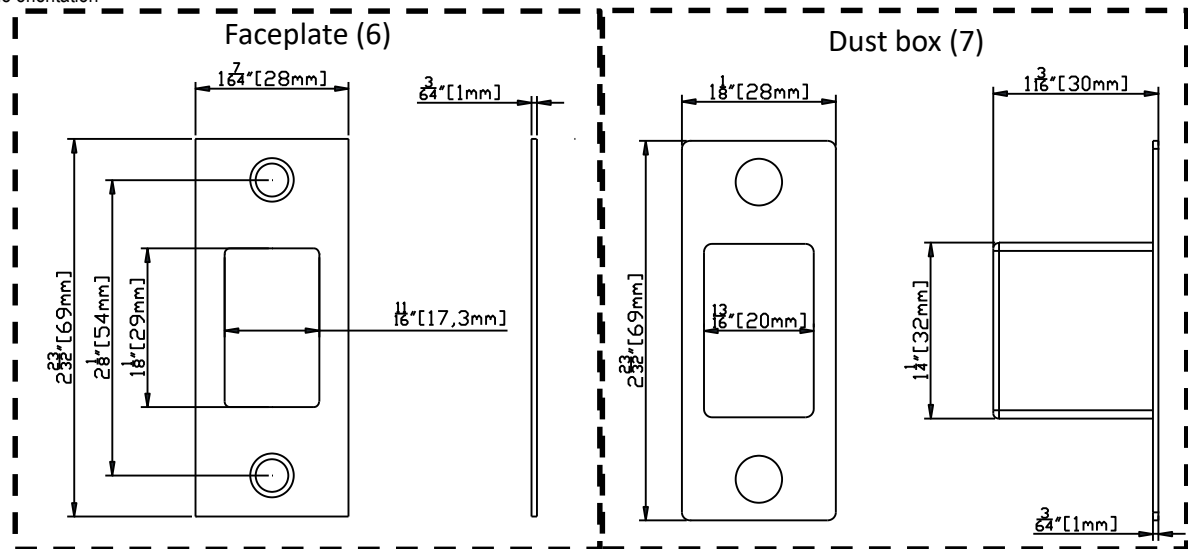
4 Installation of the inside rose

Place the plate with the thumbturn (10) on tailpiece of the cylinder and push the rose gently up against the mounting plate (8). Screw the cover ring (11) onto the mounting plate (8). For the square version, a rubber ring is clamped between parts 8 and 11, and the orientation of the cover ring can be chosen between straight or on the diamond. Test the function before closing the door.



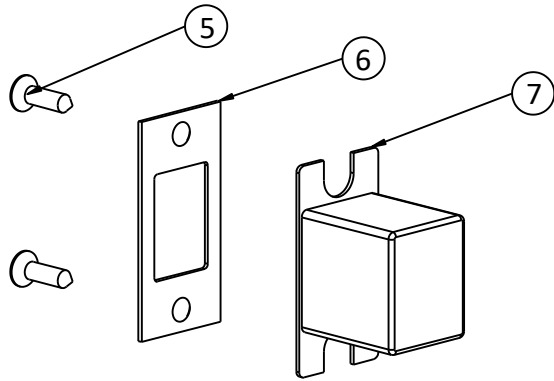
5 Preparation of the frame

Mark the position of the latch tongue on the door jamb for the location of the strike plate. Prepare the frame according to the measures below.



6 Install Strike plate

Install the dust cover (7) and faceplate (6) using the supplied wood screws (5).



8 Limited Warranty

Karcher Design warrants to the original purchaser and first consumer owner that its products shall be free from defects in material or workmanship for 2 years after purchase.

Subject to the conditions stated below, Karcher Design shall repair or replace (at our sole discretion) any defective product at no further charge.

This warranty is valid only for the original purchaser and first consumer owner and is not transferable.

This warranty *only* applies to products purchased directly from an authorized dealer of Karcher Design products. Our [website](#) contains a list of authorized dealers. You may be asked for proof of purchase, so please retain your receipt.

To obtain warranty service, please contact an authorized reseller dealer directly. Do not contact Karcher Design directly with warranty questions.

This warranty does not apply to ordinary wear and tear or to damage caused by conditions beyond Karcher Design's control, including but not limited to accidents, lack of reasonable care, weather conditions, improper installation or maintenance, alteration, or abuse. **In particular, this warranty does not apply to products that are not intended to be used outdoors (including products made out of wood, leather, carbon, glass, laminate, and satin nickel) that are in fact used outdoors.**

THE REMEDIES DESCRIBED ABOVE ARE YOUR SOLE AND EXCLUSIVE REMEDIES, AND CONSTITUTE KARCHER DESIGN'S ENTIRE LIABILITY FOR ANY BREACH OF THIS LIMITED WARRANTY. KARCHER DESIGN EXCLUDES AND EXPRESSLY DISCLAIMS LIABILITY FOR ANY CONSEQUENTIAL, INDIRECT, INCIDENTAL OR SPECIAL DAMAGES OF ANY NATURE ARISING OUT OF THE SALE, INSTALLATION, MAINTENANCE, USE OR FAILURE OF ANY KARCHER DESIGN PRODUCT, INCLUDING BUT NOT LIMITED TO LOSS OF PROFITS, PROPERTY DAMAGE, DAMAGES TO BUSINESS OR BUSINESS RELATIONS OR DAMAGES FOR LOSS OF OPERATION. IN ALL EVENTS KARCHER DESIGN'S LIABILITY WILL BE CAPPED AT THE PURCHASE PRICE PAID FOR THE PRODUCT.

Some states do not allow limitations on how long an implied warranty lasts, so the above limitation may not apply to you. Some states do not allow the exclusion or limitation of incidental or consequential damages, so the above limitation or exclusion may not apply to you. This warranty gives you specific legal rights, and you may also have other rights which vary from state to state.

No representative or employee of Karcher Design is authorized to make any modification or addition to this warranty.

Karcher Design NA, LLC

1024 Industry Dr.
Tukwila WA 98188
Office: 559-475-8274
Fax: 253-236-4469