

Installation Instructions for KARCHER DESIGN Pocket door lock EPD and EPDQ

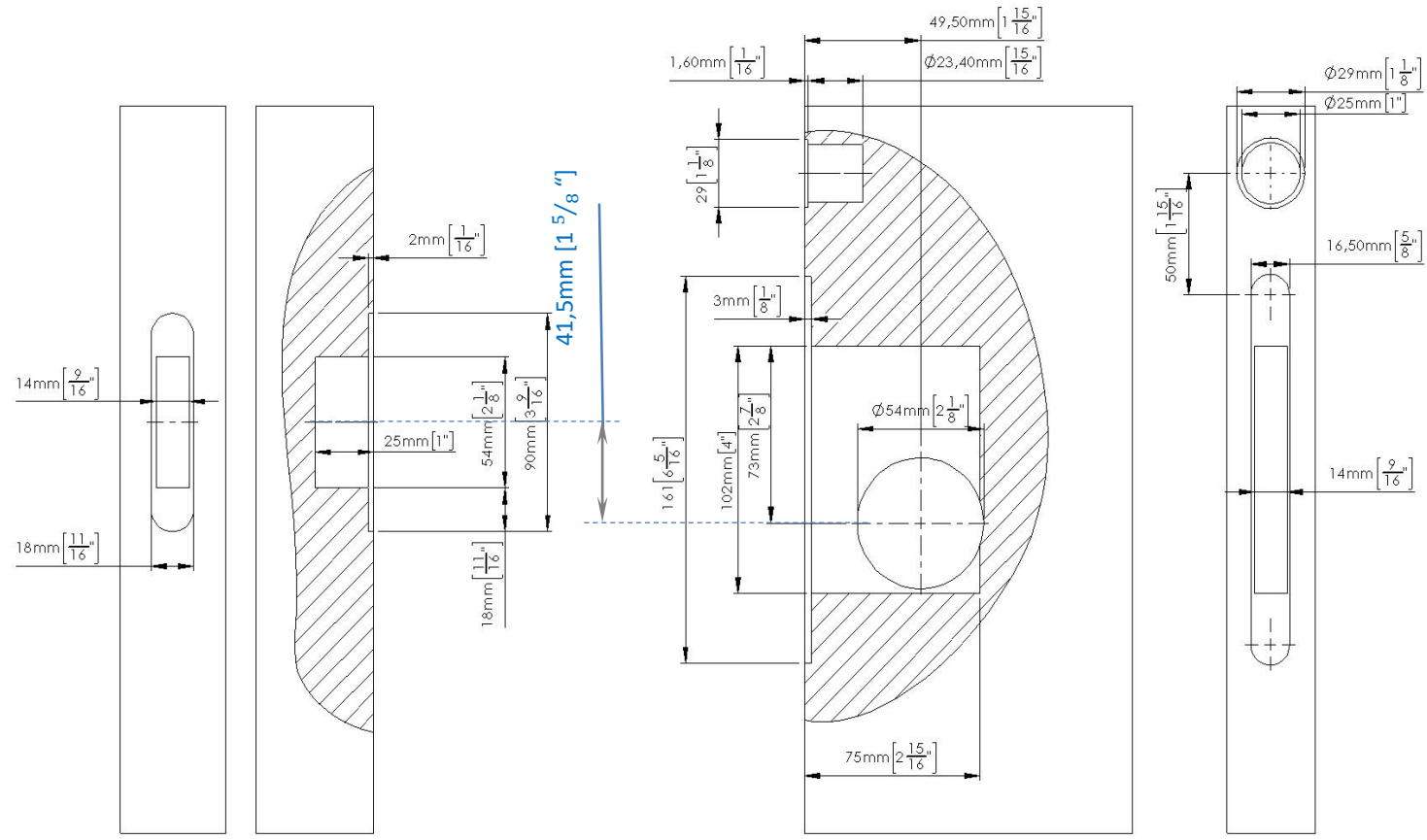
1. a Prepare the door for the round version EPD

Before mounting the pocket door set EPD, the door and frame have to be milled according to the drawings as shown below.

Attention: This product was designed by using metric units. To avoid any deviations, the milling machine has to be set to the metric system. The drawings below are not drawn to scale and may not be used as templates.

milling picture: door frame

milling picture: door



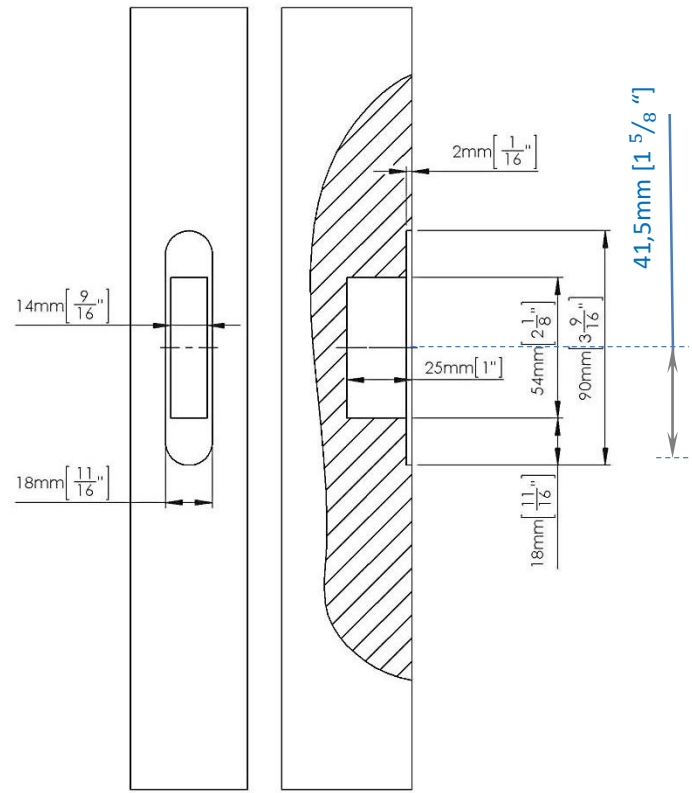
Installation Instructions for KARCHER DESIGN Pocket door lock EPD and EPDQ

1. b Prepare the door for the square version EPDQ

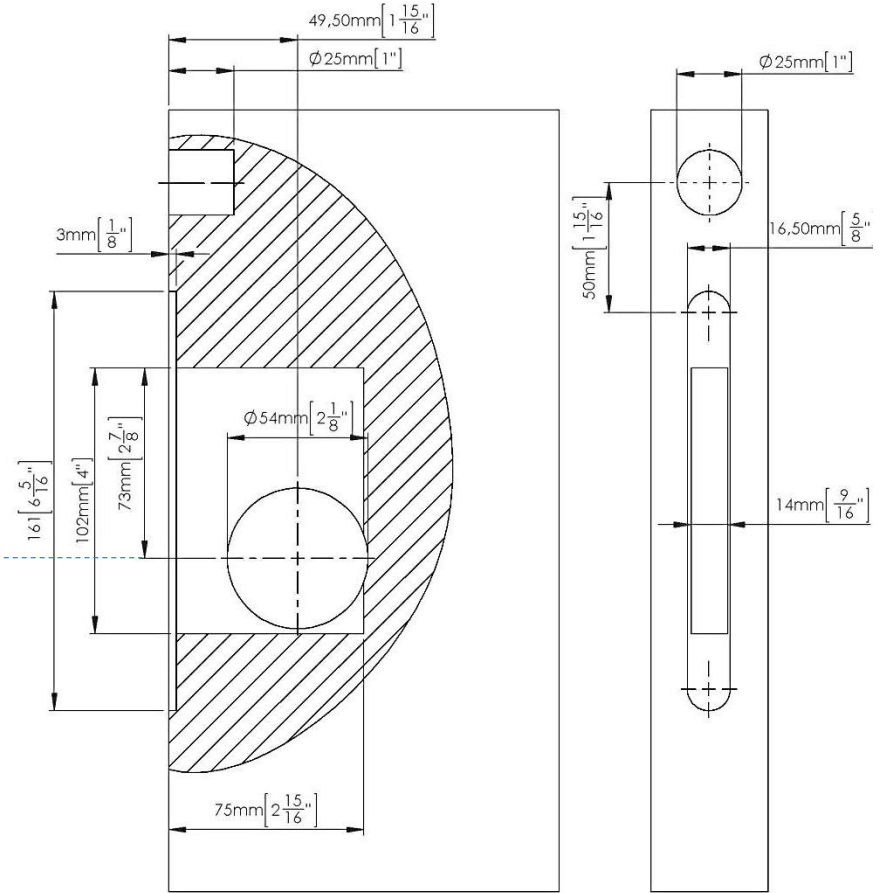
Before mounting the pocket door set EPD, the door and frame have to be milled according to the drawings as shown below.

Attention: This product was designed by using metric units. To avoid any deviations, the milling machine has to be set to the metric system. The drawings below are not drawn to scale and may not be used as templates.

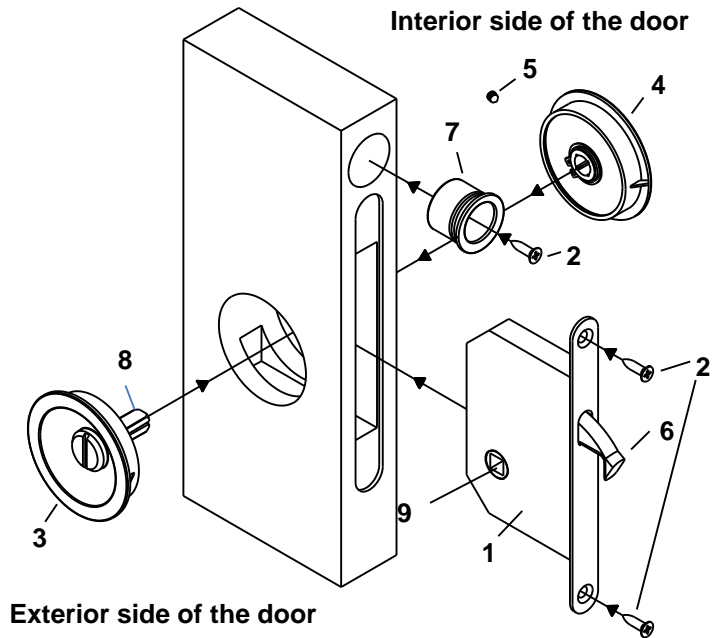
milling picture: door frame



milling picture: door



2 Installation



Content

- | | |
|------------------|------------------|
| 1. Lock | 2. Wood screw |
| 3. Exterior rose | 4. Interior Rose |
| 5. Set screw | 6. Tongue |
| 7. Finger pull | 8. Spindle |
| 9. Hub | |

Install the lock (1) in the door by using the two wood screws (2) provided. The hub (9) has to be on the bottom part of the lock. It is recommended to fix the roses (3,4) with silicon glue. Insert the spindle (8) of the exterior rose into the hub (9) of the lock. The oval notch of the spindle must point towards the set screw (5). Then place the interior rose (4) on the spindle and tighten the set screw (5). Insert the finger pull into the circular hole and fix it with the wood screw (2)

Limited Warranty

Karcher Design warrants to the original purchaser and first consumer owner that its products shall be free from defects in material or workmanship for 2 years after purchase.

Subject to the conditions stated below, Karcher Design shall repair or replace (at our sole discretion) any defective product at no further charge.

This warranty is valid only for the original purchaser and first consumer owner and is not transferable.

This warranty *only* applies to products purchased directly from an authorized dealer of Karcher Design products. Our [website](#) contains a list of authorized dealers. You may be asked for proof of purchase, so please retain your receipt.

To obtain warranty service, please contact an authorized reseller dealer directly. Do not contact Karcher Design directly with warranty questions.

This warranty does not apply to ordinary wear and tear or to damage caused by conditions beyond Karcher Design's control, including but not limited to accidents, lack of reasonable care, weather conditions, improper installation or maintenance, alteration, or abuse. **In particular, this warranty does not apply to products that are not intended to be used outdoors (including products made out of wood, leather, carbon, glass, laminate, and satin nickel) that are in fact used outdoors.**

THE REMEDIES DESCRIBED ABOVE ARE YOUR SOLE AND EXCLUSIVE REMEDIES, AND CONSTITUTE KARCHER DESIGN'S ENTIRE LIABILITY FOR ANY BREACH OF THIS LIMITED WARRANTY. KARCHER DESIGN EXCLUDES AND EXPRESSLY DISCLAIMS LIABILITY FOR ANY CONSEQUENTIAL, INDIRECT, INCIDENTAL OR SPECIAL DAMAGES OF ANY NATURE ARISING OUT OF THE SALE, INSTALLATION, MAINTENANCE, USE OR FAILURE OF ANY KARCHER DESIGN PRODUCT, INCLUDING BUT NOT LIMITED TO LOSS OF PROFITS, PROPERTY DAMAGE, DAMAGES TO BUSINESS OR BUSINESS RELATIONS OR DAMAGES FOR LOSS OF OPERATION. IN ALL EVENTS KARCHER DESIGN'S LIABILITY WILL BE CAPPED AT THE PURCHASE PRICE PAID FOR THE PRODUCT.

Some states do not allow limitations on how long an implied warranty lasts, so the above limitation may not apply to you. Some states do not allow the exclusion or limitation of incidental or consequential damages, so the above limitation or exclusion may not apply to you. This warranty gives you specific legal rights, and you may also have other rights which vary from state to state.

No representative or employee of Karcher Design is authorized to make any modification or addition to this warranty.

Karcher Design NA, LLC

1024 Industry Dr.

Tukwila WA 98188

Office: 559-475-8274

Fax: 253-236-4469