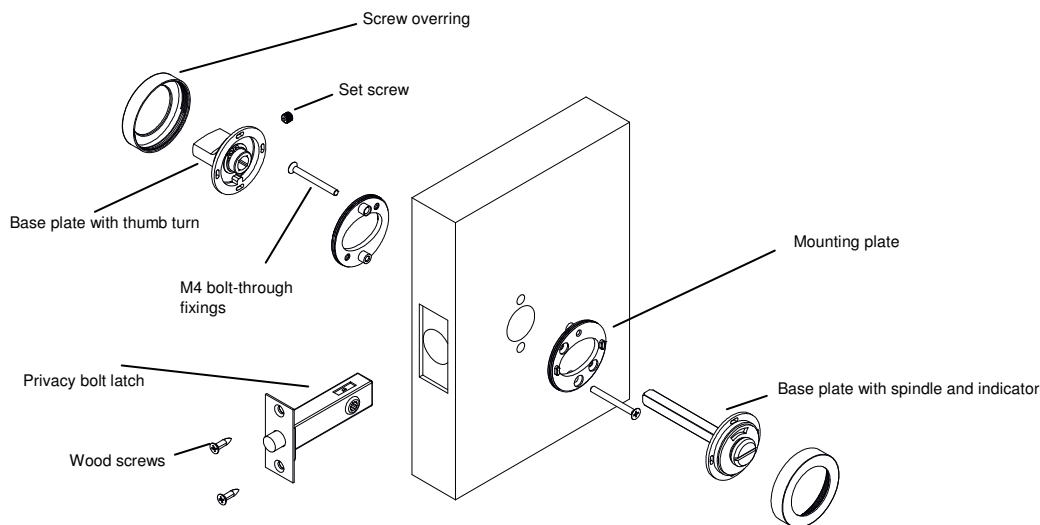


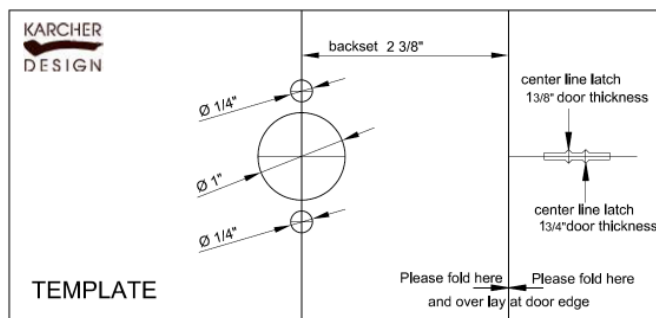
Installation Instructions for KARCHER Privacy Bolt on European Rose



1. MARK DOOR AND DRILL HOLES

•The Door prep for the Privacy bolt on European is not a standard door prep. Please read this installation instruction carefully and before mounting. If you don't understand the installation instruction completely, please contact immediately Karcher Design (export@karcher-design.de) to avoid any damage on your door.

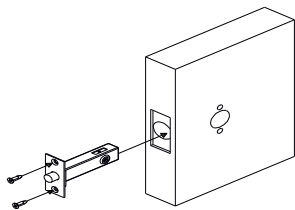
- Draw a level 3" (76mm) center line on both sides of the door. The standard height for a handle set is 36" (914mm) from finished floor.
- Fold template over edge of door, mark site 2 3/8" (60mm) to determine the center point of holes.



- Please pay attention to the different door thickness and also different center line.
- Drill a 1" (24,5mm) hole half way through the door on each side to prevent splintering of door. Drill two 1/4" holes below and above the 1" hole. The distance between the center of the 1" hole and the center of the 1/4" hole is 3/4". Where the door is marked for the center of the latch, drill a 1" (24,5 mm) hole.
- Cut out a 2 9/32" x 1" x 1/8" (58x26x3mm) base.
- Bore from the lower end of the bevel to allow for this.

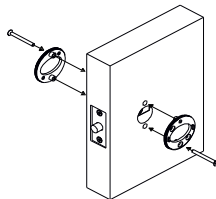
2. INSTALL LATCH

- Install latch and face plate using wood screws provided.



3. FIXING OF THE ROSE

Fix the rose mounting plates (metal) to door and secure with the M4 bolt through fixings.

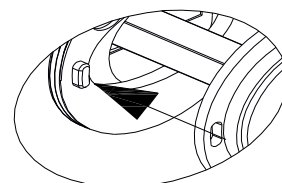
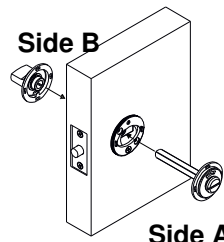


4. PLACEMENT OF THE LEVER BASE ROSE

Place the base plate with the spindle and the indicator through the lock follower. (Side A)

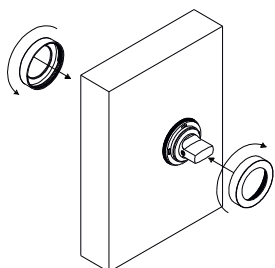
Push the base plate with thumb turn on the Spindle (Side B) .

Please pay attention that on both sides the fixing lugs fit in the fixing holes



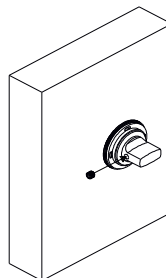
5. FIXING OF THE SCREW OVER RING

Fix with screw over ring



6. FIXING OF SET SCREW

Tighten the set screw with the allen key on thumb turn side



Limited Warranty

Karcher GmbH ("Karcher") warrants to the original retail purchaser ("Purchaser"), but to no other person, that Karcher's products ("Products") shall be free from defects in material or workmanship for a period of one (1) year following the purchase of the Products from an authorized dealer. Karcher's sole obligation under this limited warranty shall be, at the option of Karcher, to repair or replace Products which Karcher determines, in its sole discretion, to be defective and which are returned to Karcher by an authorized dealer within one (1) year from the date of purchase of the Products.

Karcher does not assume any warranty responsibility for damage to the Products due to conditions over which Karcher has no control, including but not limited to ordinary wear and tear, improper installation or maintenance, alteration, impact, accident, misuse, tampering or abuse. Karcher assumes no responsibility for tarnishing, discoloration, excessive wear or deterioration of the surface finishes due to exposure to weather conditions over which Karcher has no control. Karcher assumes no responsibility for any defects or damage caused by the Purchaser or any third parties.

KARCHER MAKES NO OTHER WARRANTIES OF ANY KIND OTHER THAN THOSE CONTAINED HEREIN AND HEREBY DISCLAIMS ALL OTHER WARRANTIES, EXPRESS OR IMPLIED, WITH RESPECT TO THE PRODUCTS INCLUDING WITHOUT LIMITATION ANY WARRANTIES OF MERCHANTABILITY OR FITNESS FOR A PARTICULAR PURPOSE. THIS LIMITED WARRANTY IS IN LIEU OF ALL OTHER WARRANTIES, EXPRESS OR IMPLIED, AND IS LIMITED TO THE DURATION OF THE LIMITED WARRANTY PERIOD. IN NO EVENT SHALL KARCHER BE LIABLE FOR ANY SPECIAL, DIRECT INDIRECT, INCIDENTAL, OR CONSEQUENTIAL DAMAGES, INCLUDING, BUT NOT LIMITED TO LOSS OF PROFITS, PROPERTY DAMAGE, DAMAGES TO BUSINESS OR BUSINESS RELATIONS, OR DAMAGES FOR LOSS OF OPERATION. THIS WARRANTY REPRESENTS KARCHER'S SOLE LIABILITY TO THE PURCHASER FOR CLAIMS RELATED TO THE PRODUCTS WHETHER THE CLAIMS ARE BASED UPON CONTRACT, TORT, OR ANY OTHER LEGAL THEORY. Karcher's total cumulative liability under this limited warranty, if any, is limited to the dollar amount of the Purchaser's original payment for the Products.

The invalidity or unenforceability of any provision of this limited warranty shall not affect the validity and enforceability of any remaining provisions, and this limited warranty and disclaimer of liability shall be construed in all respects as if any invalid or unenforceable provision is omitted.

Some states do not allow limitation on how long an implied warranty lasts or the exclusion or limitation of incidental or consequential damages so the above limitations or exclusions may not apply to you, the buyer.

This warranty gives you specific legal rights and may also have other rights which vary from state to state.

KARCHER

DESIGN

Karcher GmbH
Raiffeisenstraße 32
D-74906 Bad Rappenau
Germany
Tel. (+49)07264/916426
Fax (+49)07264/916410
export@Karcher-design.de
www.Karcher-Design.de