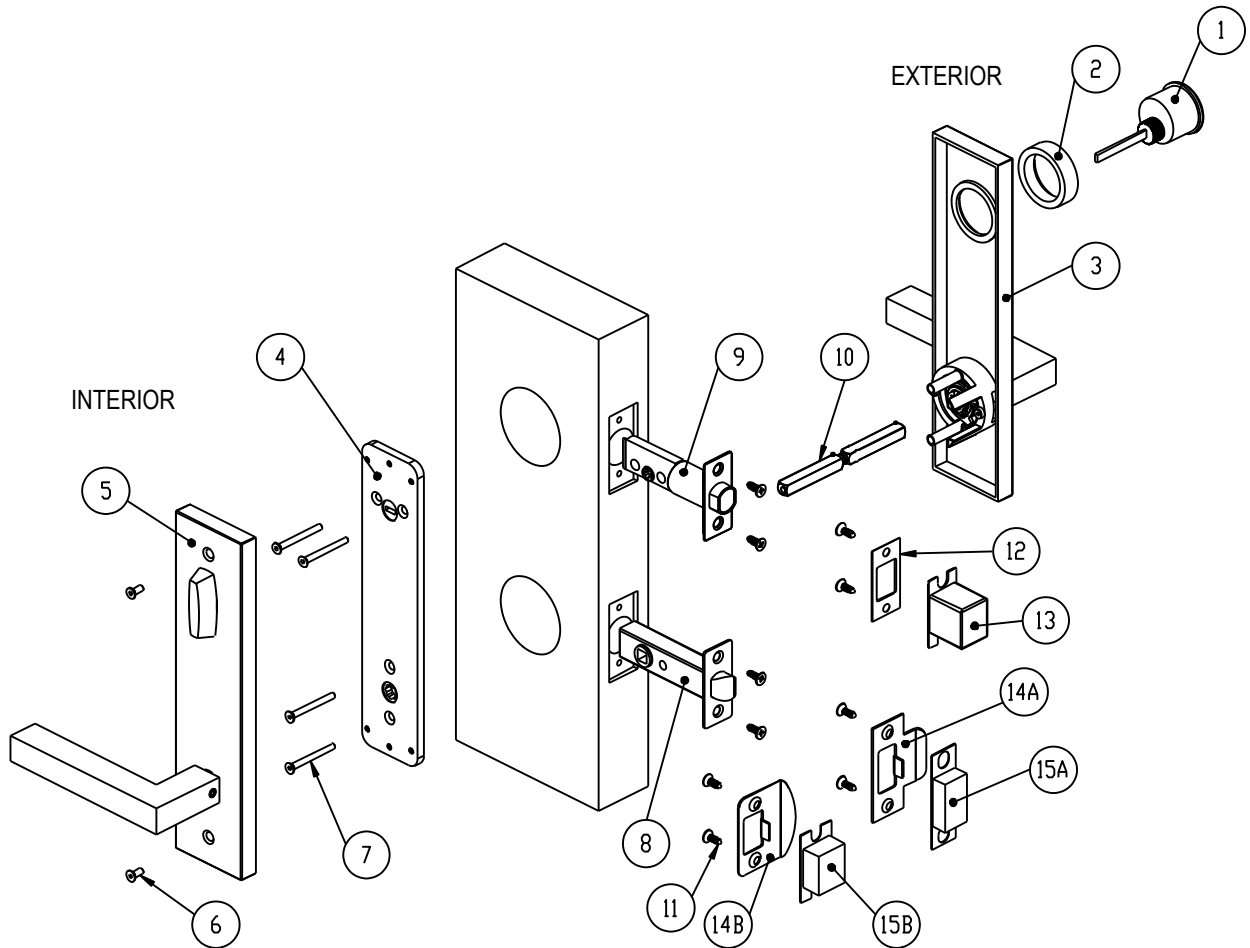


# Installation Instructions for Karcher Design UEL LA ID

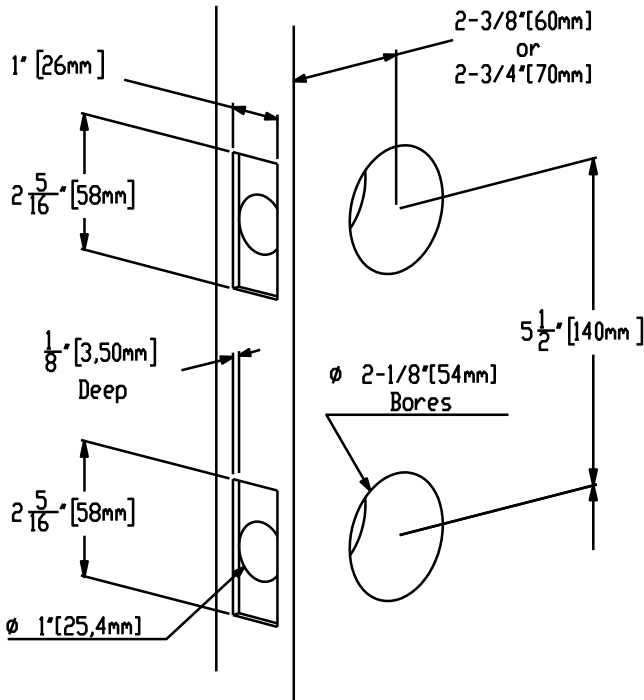
**KARCHER**  
**DESIGN**

GERMANY  
KARCHER DESIGN NA  
1042 Industry Drive  
Tukwila, WA 98188  
United States of America

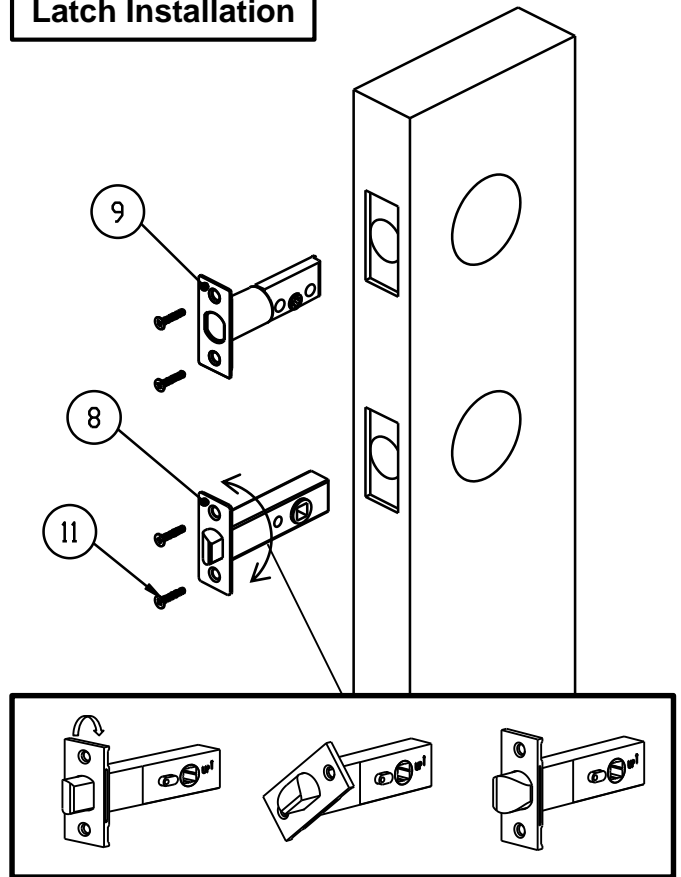


1.	Cylinder	(1 pc.)	11.	Wood screws	(8 pc.)
2.	Cylinder collar (optional)	(1 pc.)	12.	Deadbolt strike	(1 pc.)
3.	Exterior plate	(1 pc.)	13.	Dust box (deadbolt strike)	(1 pc.)
4.	Interconnection device	(1 pc.)	14A.	Lip strike plate	(1 pc.)
5.	Interior plate	(1 pc.)	14B.	T-Strike plate	(1 pc.)
6.	Cover screws	(1 pc.)	15A.	Dust box (lip strike)	(1 pc.)
7.	Mounting screws (for thick/thin doors)	(4 pc./4 pc.)	15B.	Dust box (T-Strike)	(8 pc.)
8.	Passage latch	(1 pc.)			
9.	Deadbolt latch	(1 pc.)			
10.	Split spindle	(1 pc.)			

## Door Prep

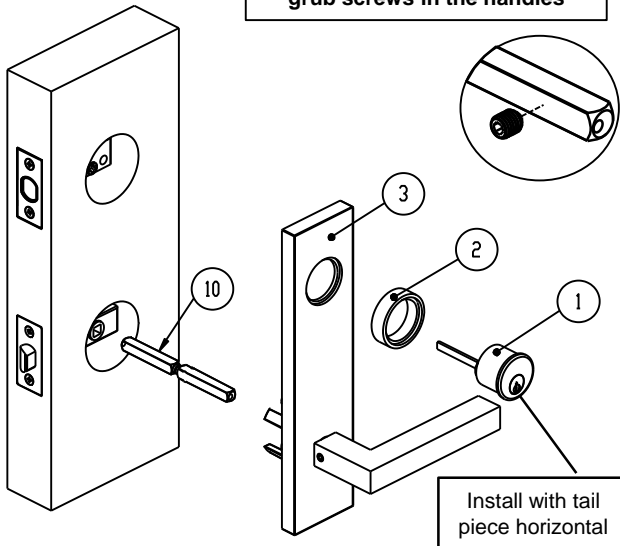


## Latch Installation



## Outside Trim

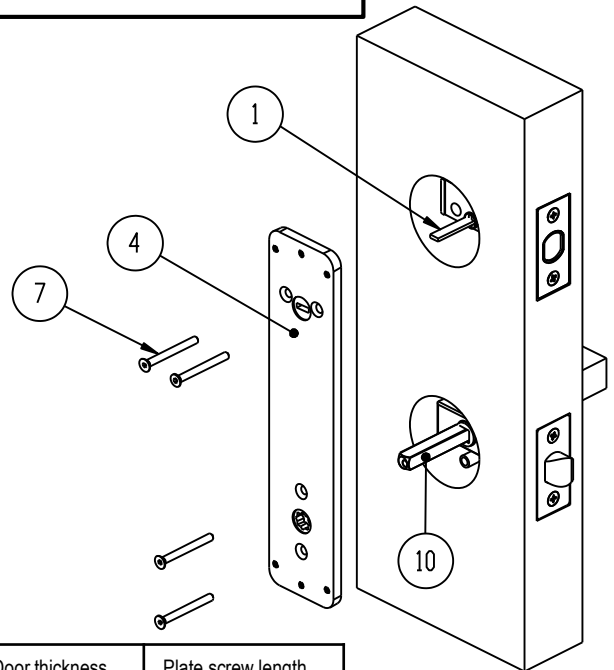
**Important!** – Eccentric hole in spindle (10) should line up with grub screws in the handles



Optional: Use the cylinder collar (2) for thin doors

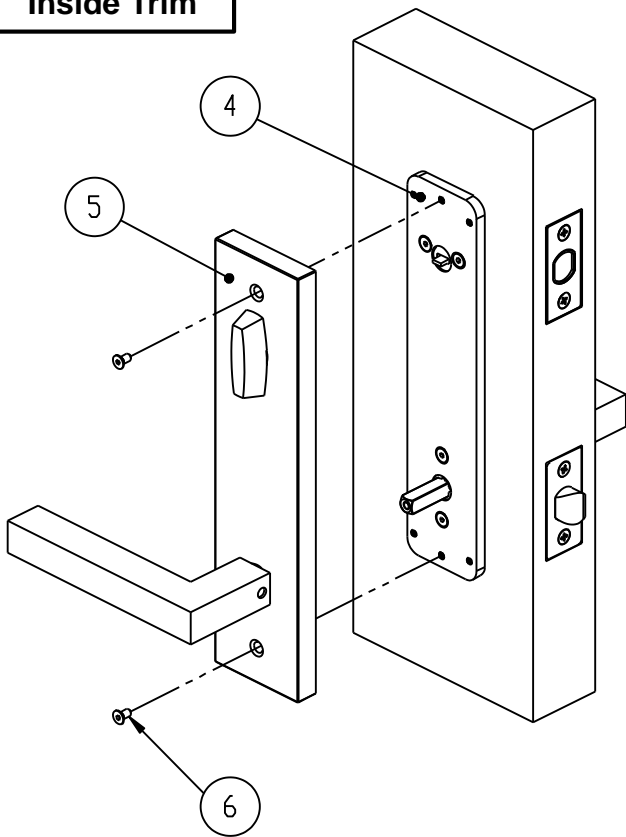
Door thickness	Use of cylinder collar	Cylinder screws
1 $\frac{3}{8}$ " (35mm)	Yes	2 $\frac{3}{8}$ " (60mm)
1 $\frac{3}{4}$ " (45mm)	Yes	2 $\frac{3}{8}$ " (60mm)
2 $\frac{1}{8}$ " (55mm)	No	2 $\frac{3}{4}$ " (70mm)
2 $\frac{1}{2}$ " (65mm)	No	2 $\frac{3}{4}$ " (70mm)

## Interconnection Plate

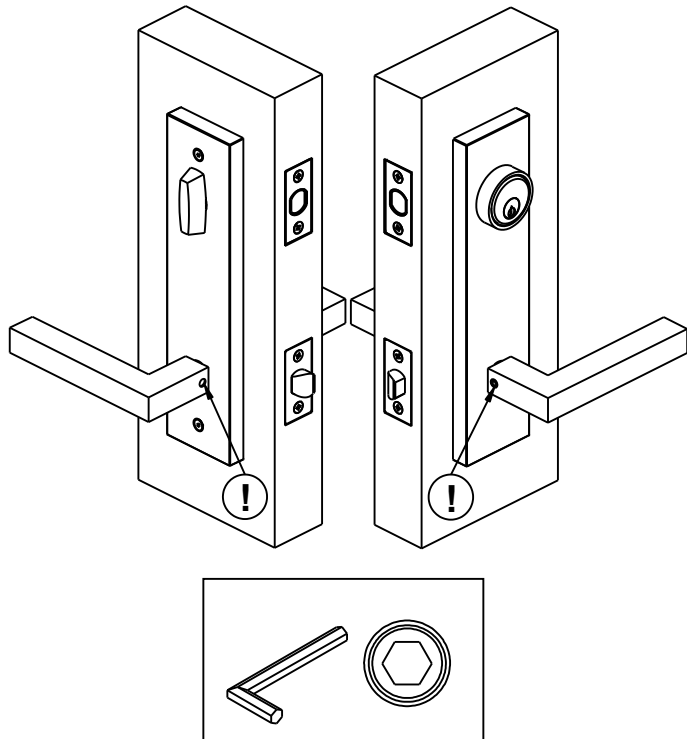


Door thickness	Plate screw length
1 $\frac{3}{8}$ " (35mm)	1 $\frac{9}{16}$ " (40mm)
1 $\frac{3}{4}$ " (45mm)	1 $\frac{9}{16}$ " (40mm)
2 $\frac{1}{8}$ " (55mm)	2 $\frac{3}{8}$ " (60mm)
2 $\frac{1}{2}$ " (65mm)	2 $\frac{3}{8}$ " (60mm)

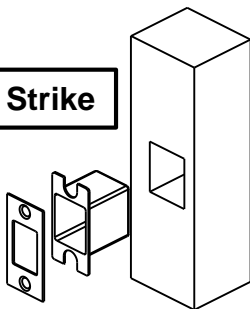
### Inside Trim



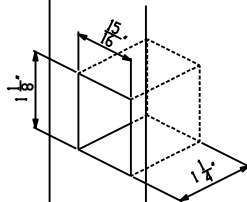
### Tighten Grub Screws



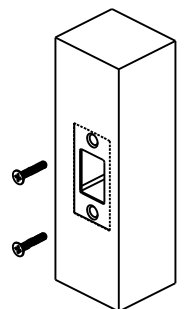
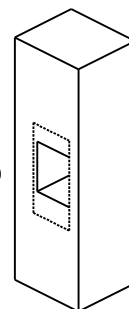
### Deadbolt Strike



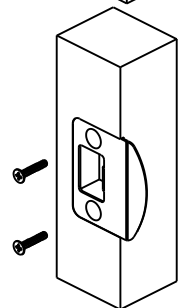
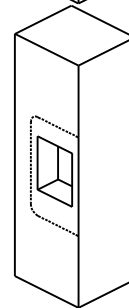
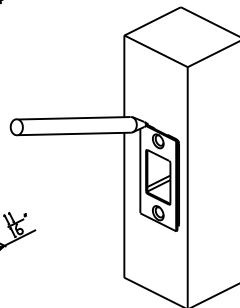
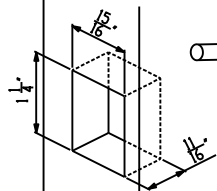
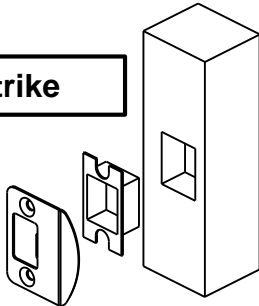
### Door Jamb and Strikes



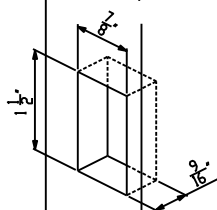
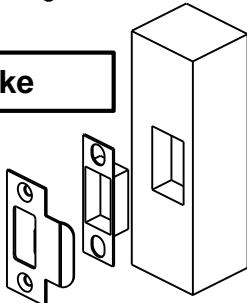
3/32" Deep



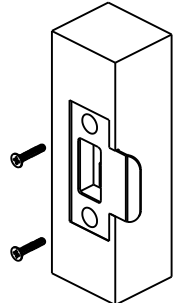
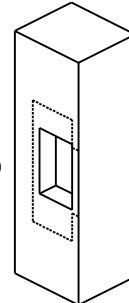
### Lip Strike



### T-Strike



3/32" Deep



# Limited Warranty

Karcher Design warrants to the original purchaser and first consumer owner that its products shall be free from defects in material or workmanship for 2 years after purchase.

Subject to the conditions stated below, Karcher Design shall repair or replace (at our sole discretion) any defective product at no further charge.

This warranty is valid only for the original purchaser and first consumer owner and is not transferable.

This warranty *only* applies to products purchased directly from an authorized dealer of Karcher Design products. Our website contains a list of authorized dealers. You may be asked for proof of purchase, so please retain your receipt.

To obtain warranty service, please contact an authorized reseller dealer directly. Do not contact Karcher Design directly with warranty questions.

This warranty does not apply to ordinary wear and tear or to damage caused by conditions beyond Karcher Design's control, including but not limited to accidents, lack of reasonable care, weather conditions, improper installation or maintenance, alteration, or abuse. In particular, this warranty does not apply to products that are not intended to be used outdoors (including products made out of wood, leather, carbon, glass, laminate, and satin nickel) that are in fact used outdoors.

THE REMEDIES DESCRIBED ABOVE ARE YOUR SOLE AND EXCLUSIVE REMEDIES, AND CONSTITUTE KARCHER DESIGN'S ENTIRE LIABILITY FOR ANY BREACH OF THIS LIMITED WARRANTY. KARCHER DESIGN EXCLUDES AND EXPRESSLY DISCLAIMS LIABILITY FOR ANY CONSEQUENTIAL, INDIRECT, INCIDENTAL OR SPECIAL DAMAGES OF ANY NATURE ARISING OUT OF THE SALE, INSTALLATION, MAINTENANCE, USE OR FAILURE OF ANY KARCHER DESIGN PRODUCT, INCLUDING BUT NOT LIMITED TO LOSS OF PROFITS, PROPERTY DAMAGE, DAMAGES TO BUSINESS OR BUSINESS RELATIONS OR DAMAGES FOR LOSS OF OPERATION. IN ALL EVENTS KARCHER DESIGN'S LIABILITY WILL BE CAPPED AT THE PURCHASE PRICE PAID FOR THE PRODUCT.

Some states do not allow limitations on how long an implied warranty lasts, so the above limitation may not apply to you. Some states do not allow the exclusion or limitation of incidental or consequential damages, so the above limitation or exclusion may not apply to you. This warranty gives you specific legal rights, and you may also have other rights which vary from state to state.

No representative or employee of Karcher Design is authorized to make any modification or addition to this warranty.

Karcher Design NA, LLC  
1024 Industry Dr.  
Tukwila WA 98188  
Office: 559-475-8274  
Fax: 253-236-4469

KARCHER  
  
DESIGN

GERMANY  
KARCHER DESIGN NA  
1042 Industry Drive  
Tukwila, WA 98188  
United States of America