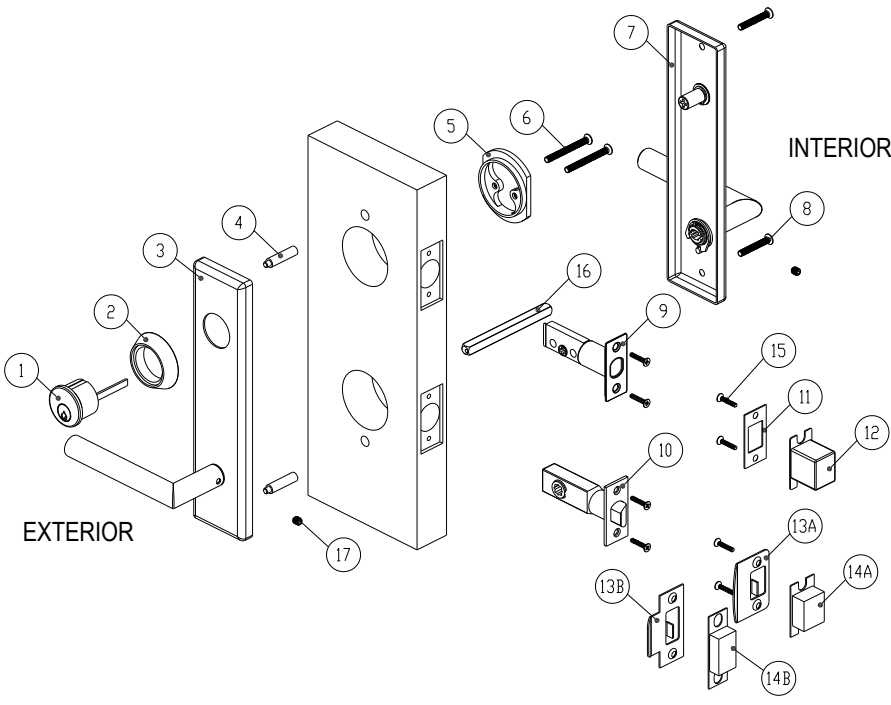


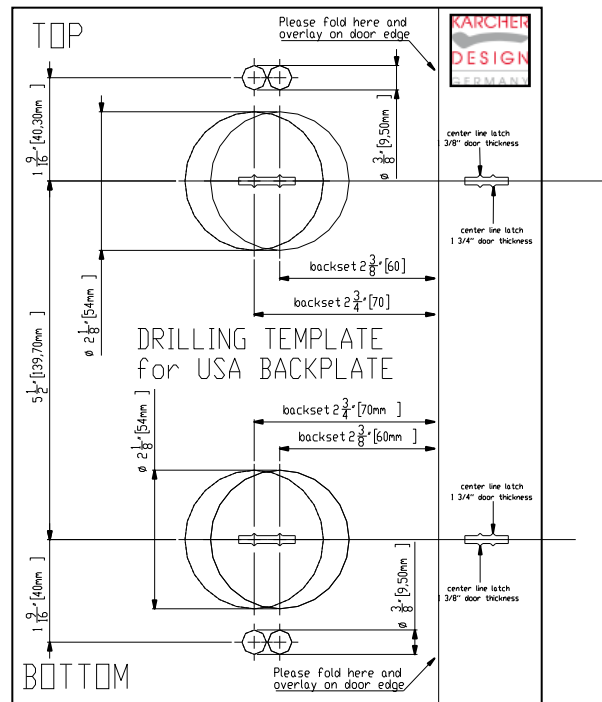
Installation Instructions for Karcher DESIGN UEL backplate



1.	cylinder	(1 pc.)
2.	cylinder collar (optional)	(1 pc.)
3.	US backplate (exterior)	(1 pc.)
4.	screw extension	(2 pc.)
5.	cylinder mounting plate	(1 pc.)
6.	cylinder screws (for thin doors/thick doors)	(2 pc.)
7.	US backplate (interior)	(2 pc.)
8.	plate screws	(2 pc.)
9.	deadbolt latch	(1 pc.)
10.	passage latch	(1 pc.)
11.	deadbolt strike plate	(1 pc.)
12.	dust box (deadbolt strike)	(1 pc.)
13A.	Lip strike	(1 pc.)
13B.	T-strike	(1 pc.)
14A.	dust box (Lip strike)	(1 pc.)
14B.	dust box (T-strike)	(1 pc.)
15.	wood screws	(8 pc.)
16.	spindle	(1 pc.)
17.	set screws	(2 pc.)

1. Door preparation

- Draw two level 3" (76mm) center lines on each side of the door. The vertical distance between the center lines of the 2 1/8" (54mm) holes is 5 1/2" (139.7mm).
- Fold the drilling template over the edge of the door, mark site 2 3/8" (60mm) or 2 3/4" (70mm) to determine the center points of the 2 1/8" (54mm) holes.
- Mark the corresponding center points of the 3/8" (9.5mm) holes.
- Consider that different door thicknesses result in different distances to the center lines.



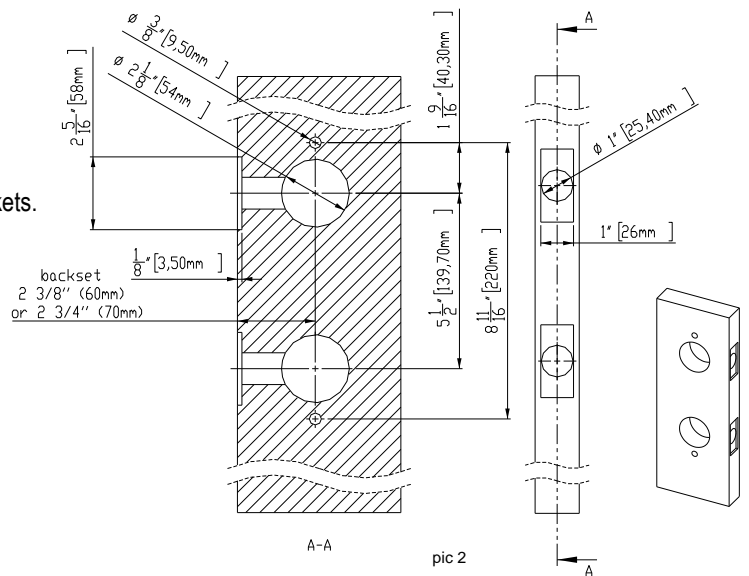
pic 1 (sample)

• Drill two 2 1/8" (54mm) holes half way through the door on each side to prevent the door from splintering. Where the door is marked for the center of the latches, drill the 1" (26mm) holes.

• Cut out two 2 5/16" × 1" × 1/8" (58×26×3,5mm) pockets.

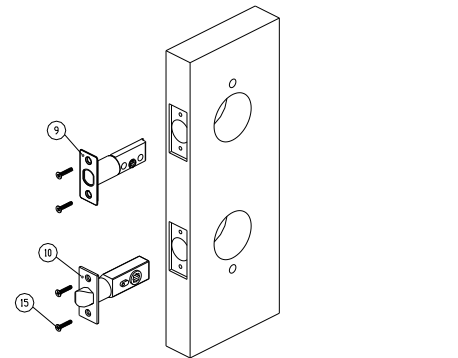
• Consider the bevel of the door.

Make sure, that the bases of the pockets are orthogonal and the axes of the holes are parallel to the door face.



2. Installation of the deadbolt latch and passage latch

- Insert the passage latch (10) and deadbolt latch (9) into the door and fix each with two wood screws (15).



pic 3

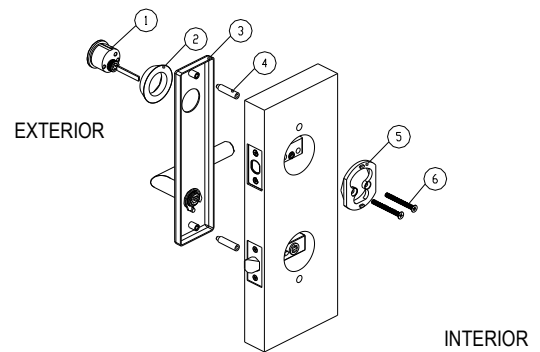
3. Fixture of cylinder

Exterior side:

- Screw the screw extensions (4) into the screw nuts of the exterior US backplate (3) and tighten them.
- Insert the two screw extensions of the exterior US backplate (3) into the door.
- Insert the cylinder (1) through the optional cylinder collar of the exterior US backplate (3) into the bolt (5). Make sure to insert the cylinder tailpiece into the bolt in vertical orientation (see pic. 5).

Interior side:

- Place the cylinder mounting plate (5) on the door as shown.
- Insert the cylinder screws (7) through the cylinder mounting plate (5) and deadbolt latch (5) into the cylinder (1) and tighten them.

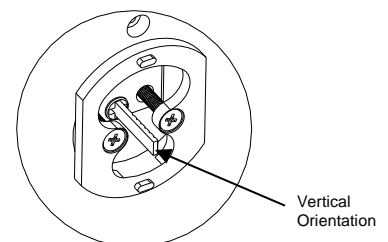


pic 4

Optional: Use the cylinder collar (2) for thin doors

Choose cylinder screws for different door thicknesses:

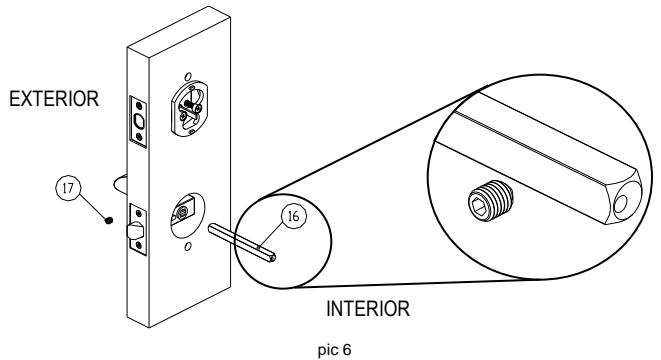
Door thickness	Use of cylinder collar	Cylinder screws
1 3/8" (35mm)	Yes	2 3/8" (60mm)
1 3/4" (45mm)	Yes	2 3/8" (60mm)
2 1/8" (55mm)	No	2 3/4" (70mm)
2 1/2" (65mm)	No	2 3/4" (70mm)



pic 5

4. Attachment of the Spindle

- Insert the spindle (16) into the passage latch (10) and center it.
- Tighten the set screw (17) to connect the exterior lever handle with the spindle



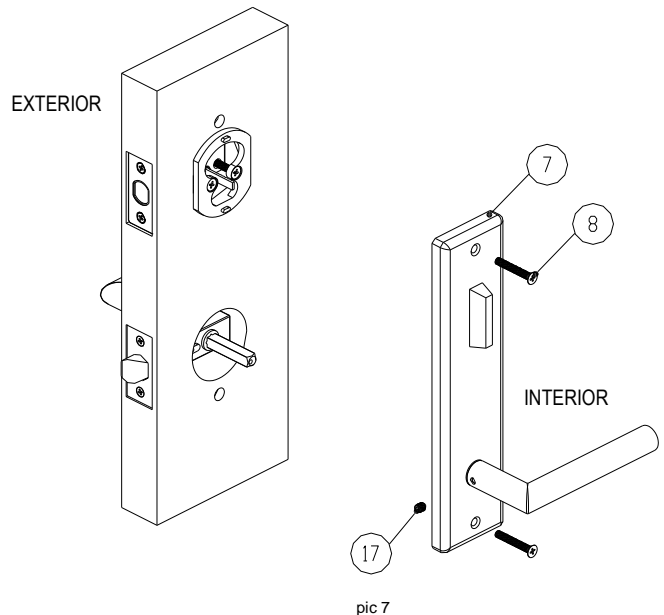
Attention:

Insert the spindle (16) in a way that the offset hollow center is in a position that the set screw in the lever (17) can pierce the spindle on the thinnest side, typically towards the door edge or bottom.

5. Installation of interior US backplate

Interior side:

- Place the interior US backplate (7) over the cylinder mounting plate (5).
- Make sure that the cylinder tailpiece is inserted into the female part of the thumb turn and release on the interior US backplate (7).
- Make sure that the spindle (11) is inserted into the female part of the lever handle on the interior US backplate (7).
- Insert the plate screws (8) through the interior US backplate (7) into the door and tighten them.
- Tighten the set screw (17) to connect the interior lever handle with the spindle

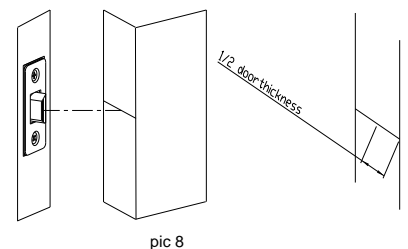


Choose plate screws for various door thicknesses:

Door thickness	Plate screw length
1 3/8" (35mm)	1 9/16" (40mm)
1 3/4" (45mm)	1 9/16" (40mm)
2 1/8" (55mm)	2 3/8" (60mm)
2 1/2" (65mm)	2 3/8" (60mm)

6. Attachment of Strike Plates

Determine the door thickness. Mark the position of the latch tongue at the door frame for the location of the strike plate. Draw a horizontal center line. The center of the dust cover has to be determined by measuring half a door thickness from edge of the door leaf. Take the side of the door leaf in the direction where the door opens.



6.A.: Deadbolt Strike

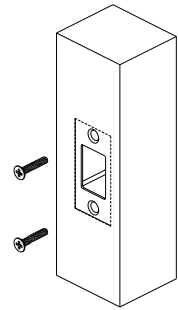
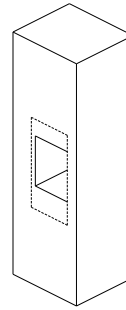
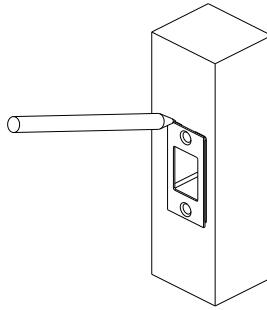
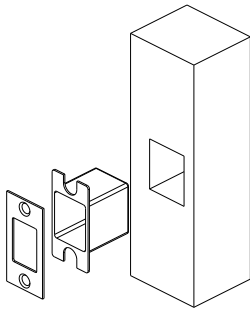
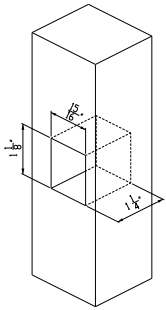
6.A.1: Cut out a 1 1/8" x 15/16" x 1 1/4" (29mm x 24,5mm x 32mm) base around the determined center.

6.A.2: Insert the dust cover in the pocket and put the deadbolt strike plate on top.

6.A.3: Use the deadbolt strike as a template and mark the outer edge with a pencil.

6.A.4: Cut out the marked area with a depth of 3/32", so that the deadbolt strike plate is flush.

6.A.5: Install the deadbolt strike using the wood screws provided.



pic 9

6.B.: Lip Strike

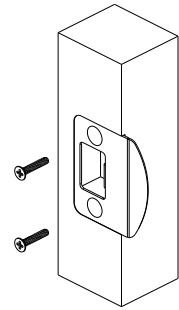
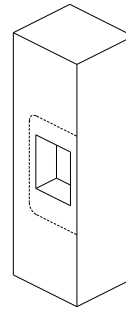
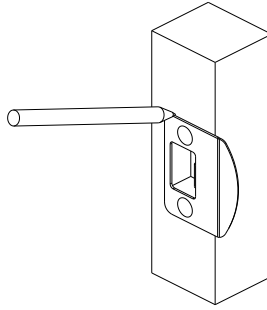
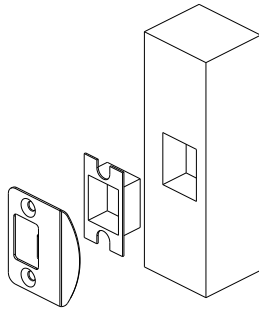
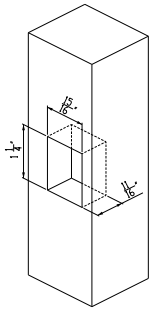
6.B.1: Cut out a 1 1/4" x 15/16" x 11/16" (31mm x 24,5mm x 17mm) base around the determined center.

6.B.2: Insert the dust cover in the pocket and put the Lip strike plate on top.

6.B.3: Use the Lip strike as a template and mark the outer edge with a pencil.

6.B.4: Cut out the marked area with a depth of 3/32", so that the Lip strike plate is flush.

6.B.5: Install the Lip strike using the wood screws provided.



pic 10

6.C.: T-Strike

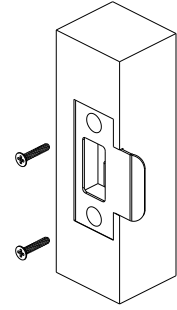
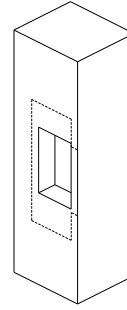
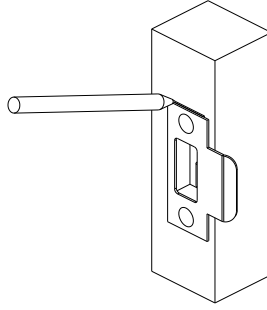
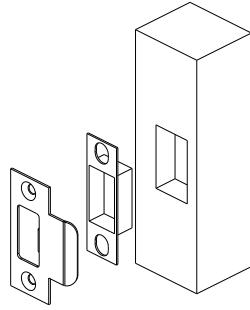
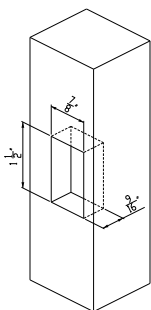
6.C.1: Cut out a 1 1/2" x 7/8" x 9/16" (38mm x 23mm x 14mm) base around the determined center

6.C.2: Insert the dust cover in the pocket and put the T-strike on top

6.C.3: Use the T-strike as a template and mark the outer edge with a pencil.

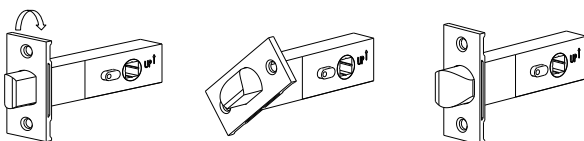
6.C.4: Cut out the marked area with a depth of 3/32", so that the T-Strike is flush

6.C.5: Fix the T-Strike using the wood screws provided.



pic 11

7.Change of latch tongue direction (28° latch)



pic 12

Turn forend plate by 180°.

Limited Warranty

Karcher Design warrants to the original purchaser and first consumer owner that its products shall be free from defects in material or workmanship for 2 years after purchase.

Subject to the conditions stated below, Karcher Design shall repair or replace (at our sole discretion) any defective product at no further charge.

This warranty is valid only for the original purchaser and first consumer owner and is not transferable.

This warranty *only* applies to products purchased directly from an authorized dealer of Karcher Design products. Our website contains a list of authorized dealers. You may be asked for proof of purchase, so please retain your receipt.

To obtain warranty service, please contact an authorized reseller dealer directly. Do not contact Karcher Design directly with warranty questions.

This warranty does not apply to ordinary wear and tear or to damage caused by conditions beyond Karcher Design's control, including but not limited to accidents, lack of reasonable care, weather conditions, improper installation or maintenance, alteration, or abuse. In particular, this warranty does not apply to products that are not intended to be used outdoors (including products made out of wood, leather, carbon, glass, laminate, and satin nickel) that are in fact used outdoors.

THE REMEDIES DESCRIBED ABOVE ARE YOUR SOLE AND EXCLUSIVE REMEDIES, AND CONSTITUTE KARCHER DESIGN'S ENTIRE LIABILITY FOR ANY BREACH OF THIS LIMITED WARRANTY. KARCHER DESIGN EXCLUDES AND EXPRESSLY DISCLAIMS LIABILITY FOR ANY CONSEQUENTIAL, INDIRECT, INCIDENTAL OR SPECIAL DAMAGES OF ANY NATURE ARISING OUT OF THE SALE, INSTALLATION, MAINTENANCE, USE OR FAILURE OF ANY KARCHER DESIGN PRODUCT, INCLUDING BUT NOT LIMITED TO LOSS OF PROFITS, PROPERTY DAMAGE, DAMAGES TO BUSINESS OR BUSINESS RELATIONS OR DAMAGES FOR LOSS OF OPERATION. IN ALL EVENTS KARCHER DESIGN'S LIABILITY WILL BE CAPPED AT THE PURCHASE PRICE PAID FOR THE PRODUCT.

Some states do not allow limitations on how long an implied warranty lasts, so the above limitation may not apply to you. Some states do not allow the exclusion or limitation of incidental or consequential damages, so the above limitation or exclusion may not apply to you. This warranty gives you specific legal rights, and you may also have other rights which vary from state to state.

No representative or employee of Karcher Design is authorized to make any modification or addition to this warranty.

Karcher Design NA, LLC
1024 Industry Dr.
Tukwila WA 98188
Office: 559-475-8274
Fax: 253-236-4469

KARCHER

DESIGN

GERMANY
KARCHER DESIGN NA
1042 Industry Drive
Tukwila, WA 98188
United States of America