

Milling instruction for the round version of pocket door set EPD

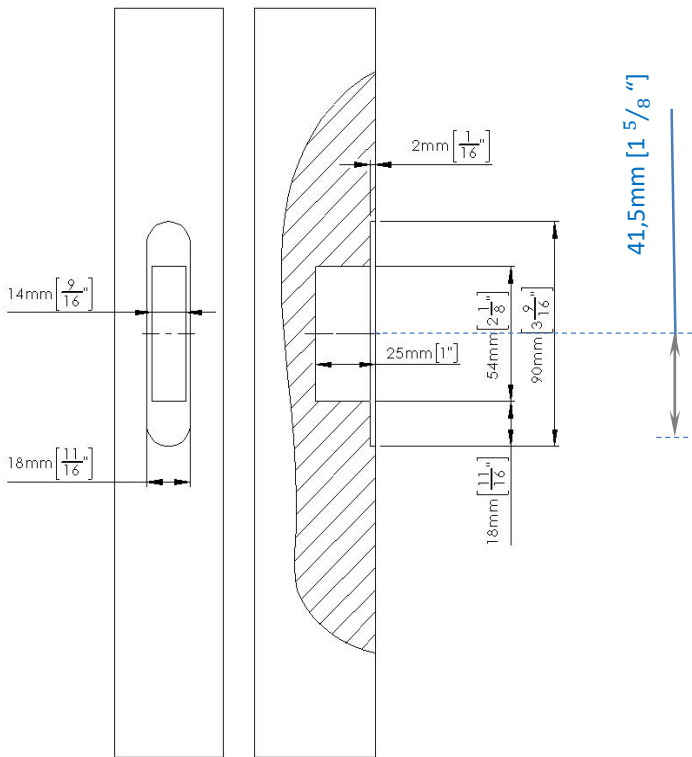


Karcher Design N.A. LLC
 1042 Industry Drive
 98188 Tukwila / Seattle, WA
 USA

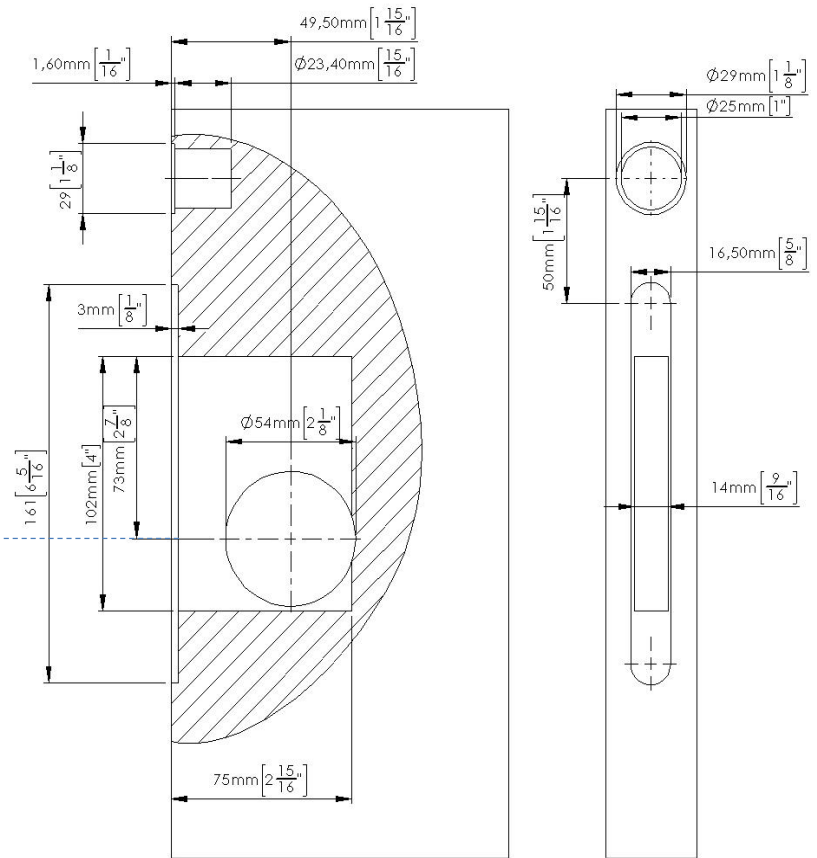
For using the pocket door set EPD, door and frame have to be milled according to the pictures as shown below.

Attention: The product is designed in metric system. To avoid any deviations, the milling machine has to be adjusted in metric. Drawing is not scale 1:1. To be used for dimensions only.

milling picture: door frame



milling picture: door



Milling instruction for the square version of pocket door set EPDQ

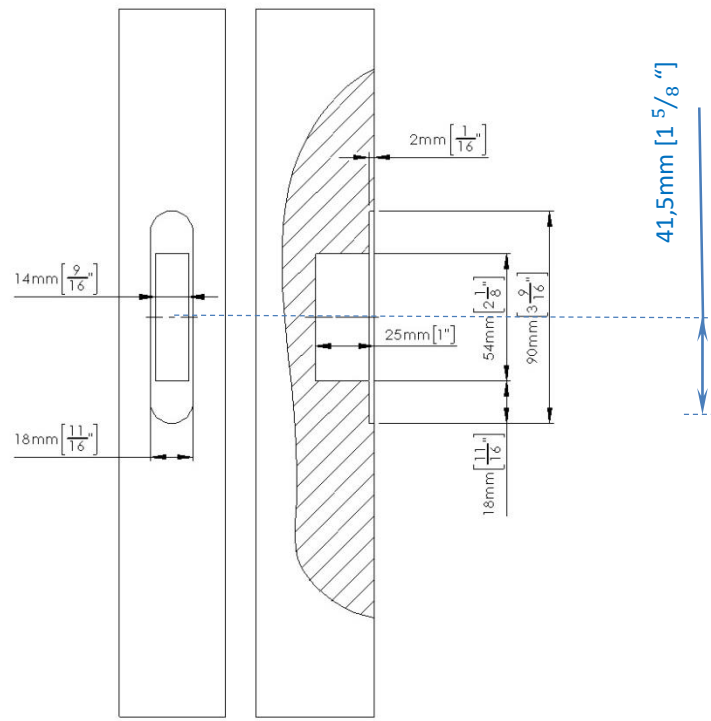


For using the pocket door set EPDQ, door and frame have to be milled according to the pictures as shown below.

Karcher Design N.A. LLC
 1042 Industry Drive
 98188 Tukwila / Seattle, WA
 USA

Attention: The product is designed in metric system. To avoid any deviations, the milling machine has to be adjusted in metric. Drawing is not scale 1:1. To be used for dimensions only.

milling picture: door frame



milling picture: door

