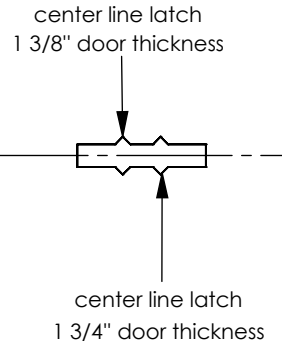
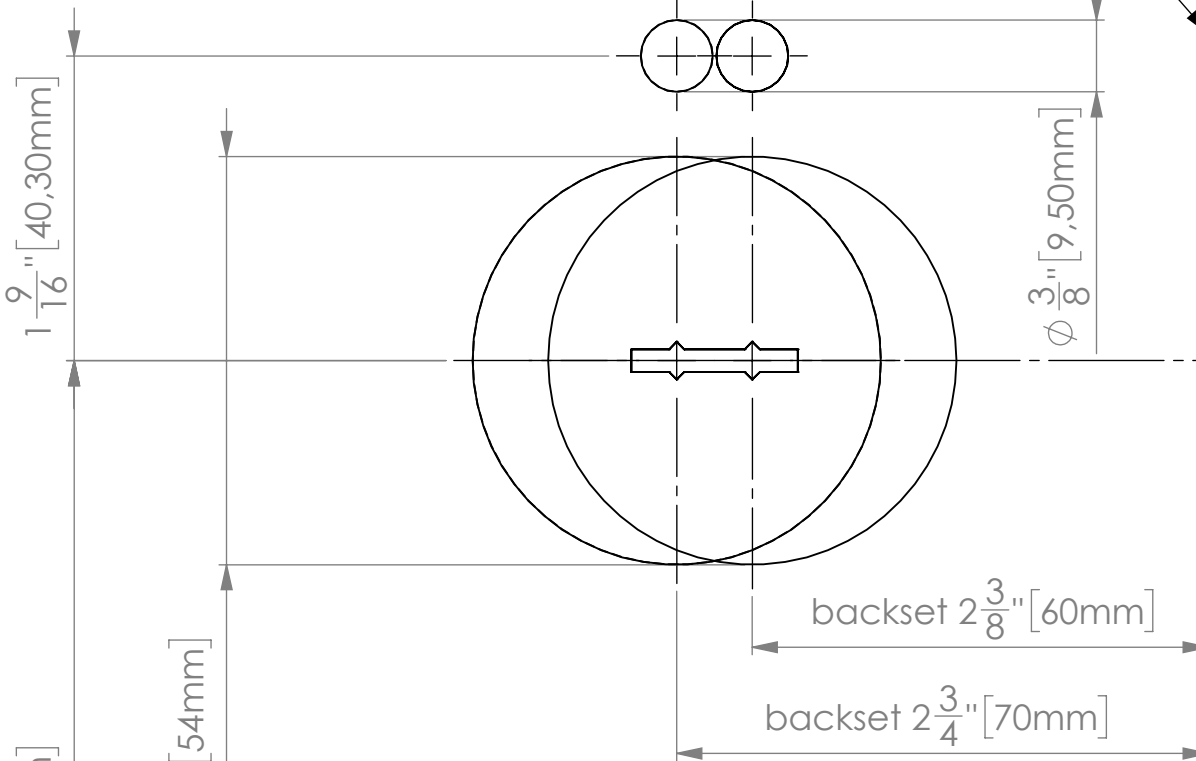


TOP

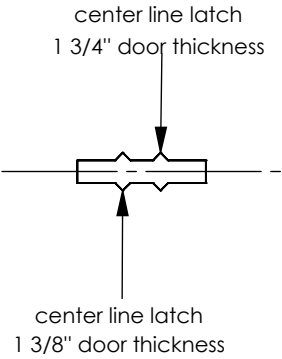
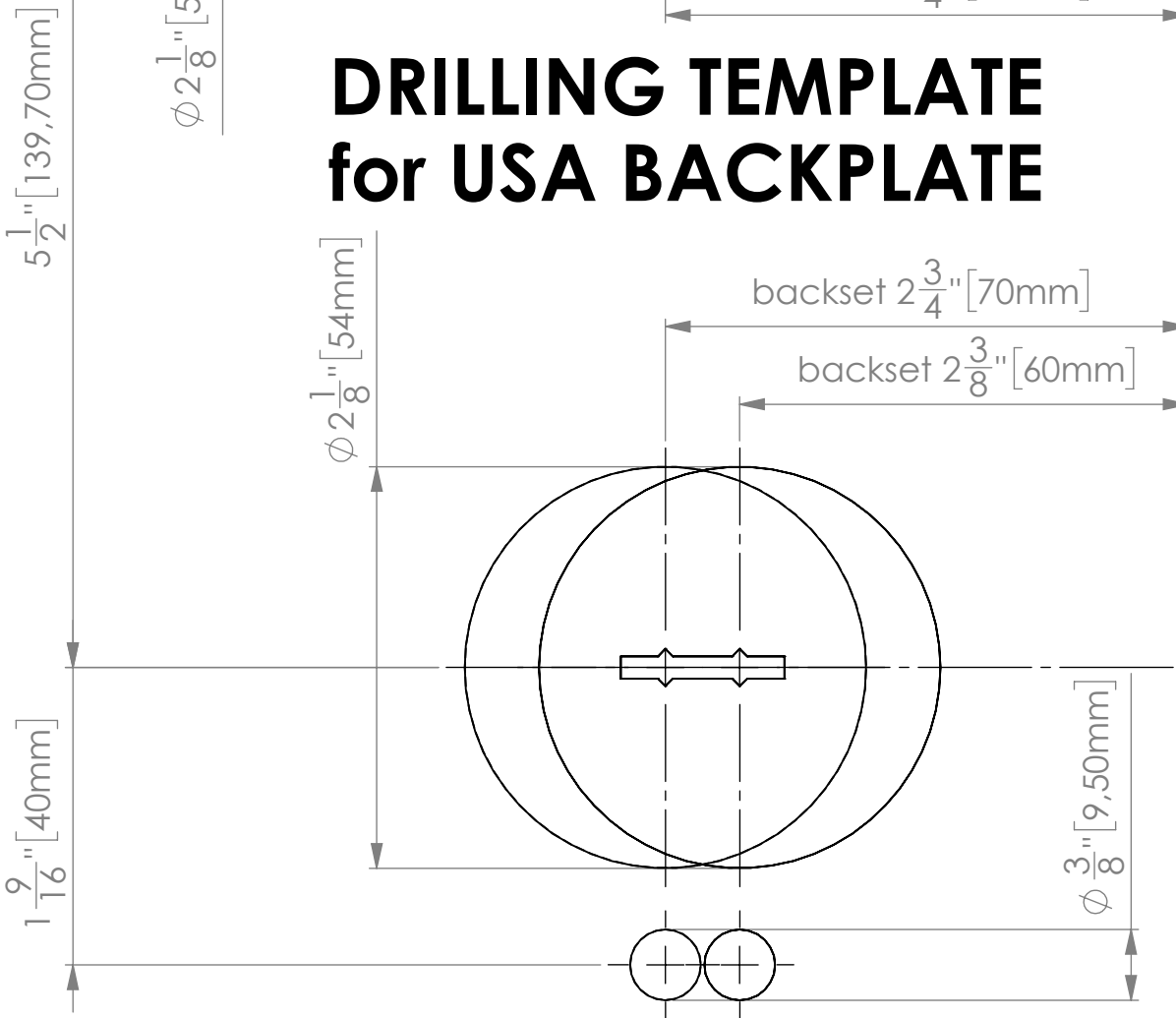
Please fold here and overlay on door edge



DRILLING TEMPLATE for USA BACKPLATE

IMPORTANT NOTE
 To print full size, please deactivate parameters like "adapt to page size" or "enlarge small pages to page size" and "reduce big pages to page size" or any similar parameters! Before using the template, all indicated dimensions have to be verified!

Karcher GmbH is not liable for defects, which arise from direct application of printed drilling templates!



BOTTOM

Please fold here and overlay on door edge