

Tear Sheet
 Model EPD4 - Pocket door set by KARCHER DESIGN



contact our US office
 Karcher Design NA
 1042 Industry Dr.
 Tukwila WA 98188
 Office: 844 858-2033
 Fax 253-236-4469
 order@karcher-design.com
 www.karcher-design.com



Finish: satin stainless steel (71)

To suit 2 1/8" door prep

EPD4- Pocket door set

product code

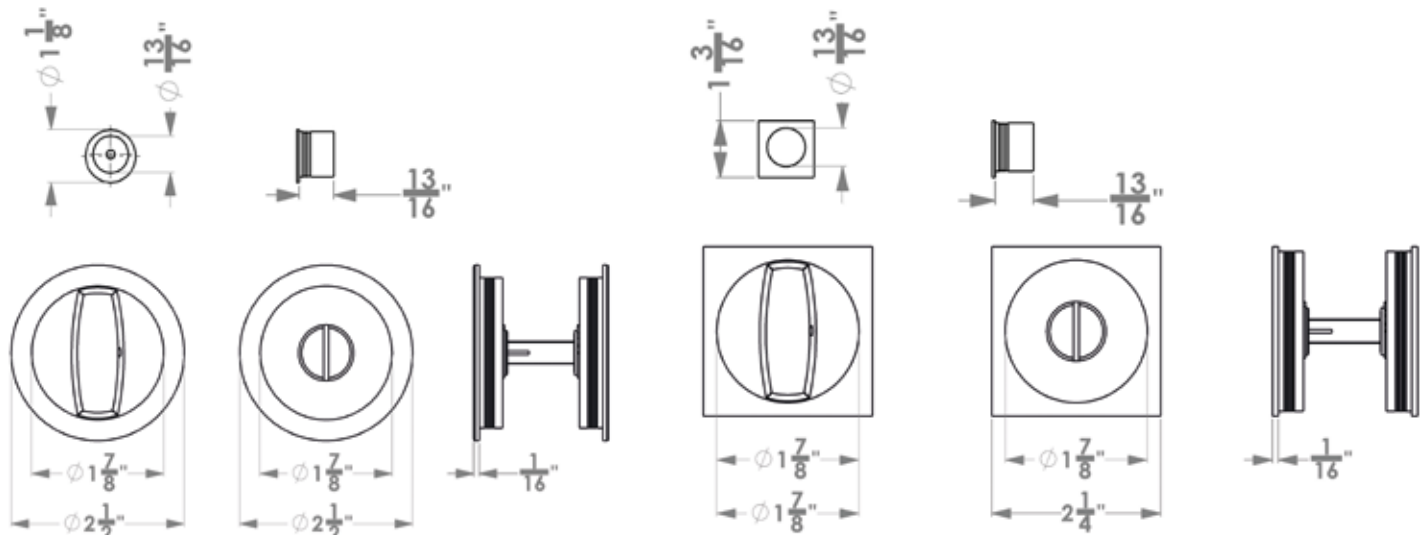
EPD4 71 outside pull with emergency release
 inside pull with thumbturn
 edge pull
 latch with strikeplate

EPD4Q 71 outside pull with emergency release
 inside pull with thumbturn
 edge pull
 latch with strikeplate

Features EPD

- door prep rose 2 1/8" (54 mm) to press into door
- door prep rose 2 3/16" (55 mm) to glue into door
- door prep finger pull 1" (25 mm) fixed with screw
- available door thickness 1 3/8" (35 mm), 1 3/4" (45 mm) 2 3/13" (55 mm). Please specify door thickness
- backset 2" (49,50 mm)
- hub 5/16" (8 mm)
- latch with strike plate

specification details



Please note: Karcher Design products are designed and measured in metric. Imperial measurements are close approximations to the actual metric dimensions